

## QPD3-0-8000-2

### 3-Way, DC~8GHz

Features:  
 \* Small Size  
 \* Low Insertion Loss

Applications:  
 \* Amplifiers  
 \* Mixers  
 \* Antennas  
 \* Laboratory Test



#### Electrical

Frequency:	DC~8GHz
Insertion Loss:	11dB max.
VSWR:	1.8 max.
Isolation:	9dB min.
Amplitude Balance:	±0.8dB
Phase Balance:	12°
Impedance:	50Ω
Power @SUM Port:	2W max. as divider

#### Mechanical

Connectors:	SMA Female N Female
Mounting:	4-Φ2.2mm through-hole

#### How To Order

**QPD3-0-8000-2-Y**

Y: Connector type

Connector naming rules:  
 S - SMA Female (Outline A)  
 N - N Female (Outline B)

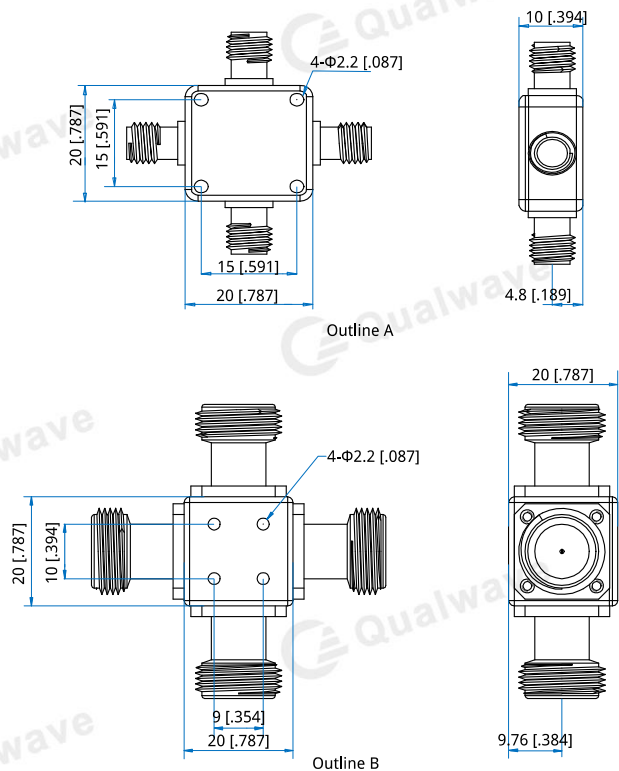
Examples:  
 To order a 3-way resistive power divider, 0~8GHz, 2W, SMA female, specify QPD2-0-8000-2-S.

Customization is available upon request.

#### Environmental

Operation Temperature: -35~+75°C

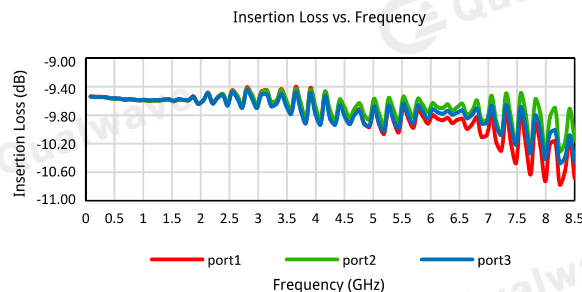
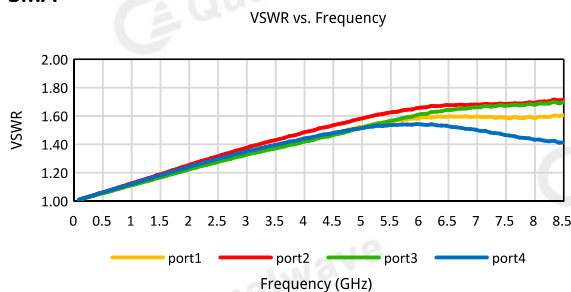
#### Outline Drawings



Unit: mm [in]  
 Tolerance: ±0.5mm [±0.02in]

#### Typical Performance Curves

##### SMA



## 3-Way Resistive Power Divider

