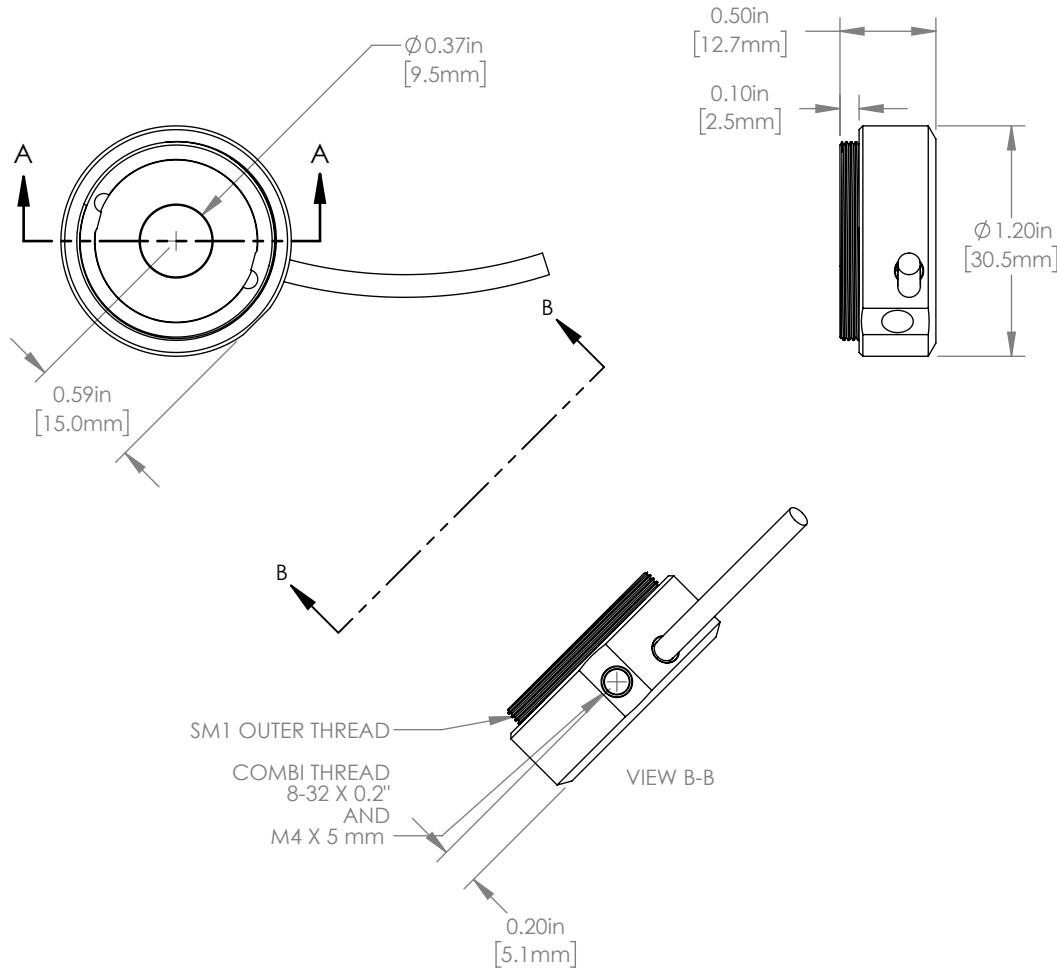


SECTION A-A



VIS/IR VIEWING TARGET  
(TARGET IS REMOVEABLE)

60" (1.5M) CABLE TO  
DB9 MALE CONNECTOR

SELF FIXING MECHANISM  
SLIGHTLY PRESS FROM BOTH  
SIDES FOR PLUGGING AND  
UNPLUGGING

CONNECTOR PIN DIAGRAM

2	EEPROM DATA
3	PD ANODE & NTC GROUND
4	PD CATHODE
6	EEPROM GROUND
7	NTC
1,5,9	N.C.

FOR INFORMATION ONLY  
NOT FOR MANUFACTURING PURPOSES



	NAME	DATE
DRAWN	GO	23/MAR/21
APPROVAL	MG	29/MAR/21

**COPYRIGHT © 2021 BY THORLABS**  
VALUES IN PARENTHESIS ARE CALCULATED  
AND MAY CONTAIN ROUND OFF ERRORS

**THORLABS**  
www.thorlabs.com

GERMANIUM POWER HEAD

MATERIAL N/A REV C

ITEM # S122C APPROX WEIGHT 0.1 kg