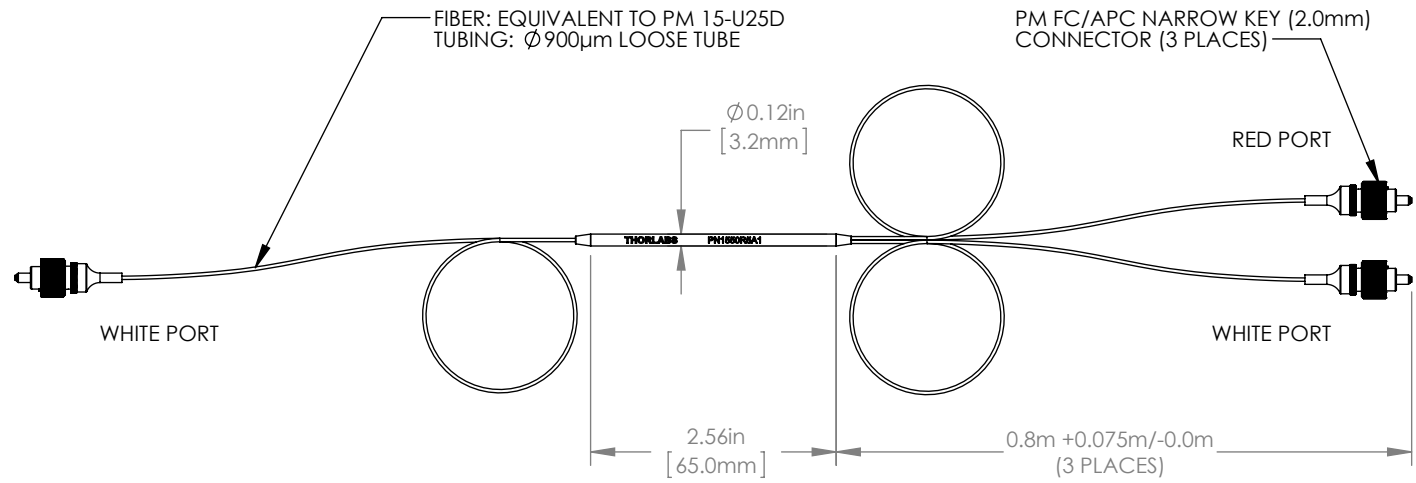


ISOMETRIC VIEW
SCALE 1:4



**FOR INFORMATION ONLY
NOT FOR MANUFACTURING PURPOSES**

DRAWING PROJECTION				THORLABS www.thorlabs.com	
	NAME	DATE			
DRAWN	DB	08/Dec/15		PM Fiber Coupler 1550nm, 50:50	
APPROVAL	PB	08/Mar/16		MATERIAL	REV D
COPYRIGHT © 2016 BY THORLABS				N/A	
VALUES IN PARENTHESIS ARE CALCULATED AND MAY CONTAIN ROUND OFF ERRORS				ITEM #	APPROX WEIGHT
				PN1550R5A1	0.03 kg