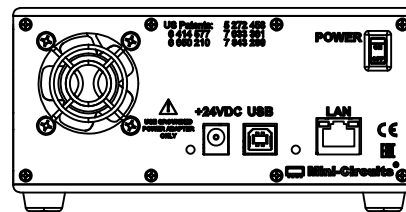
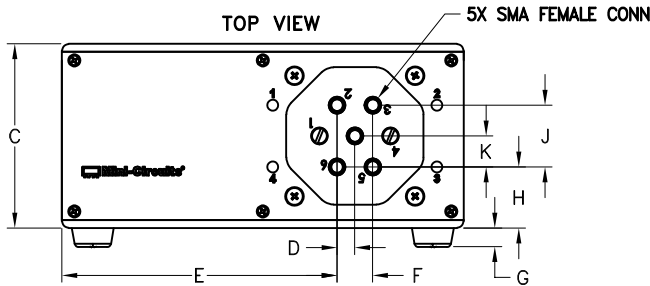
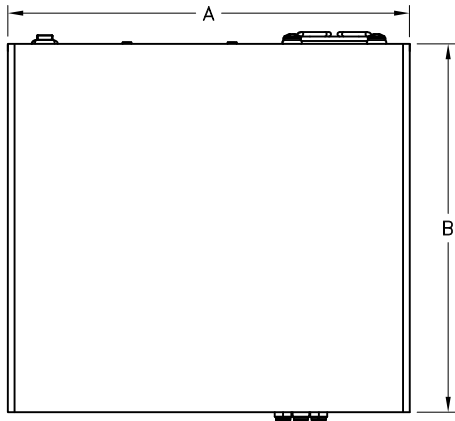


## Outline Dimensions

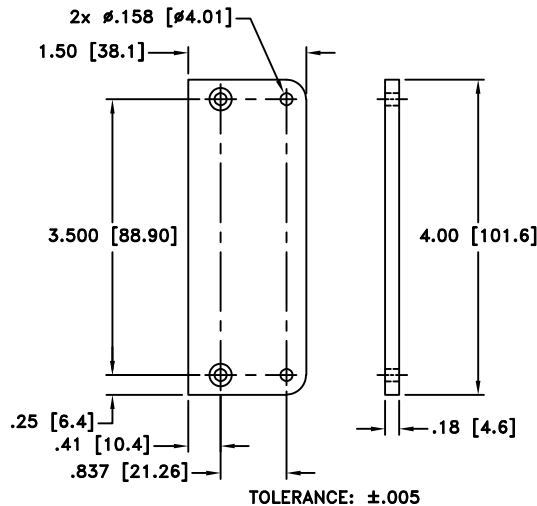
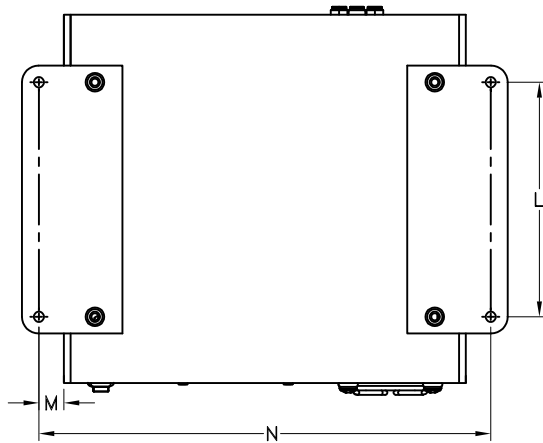
MR2935



FRONT VIEW

REAR VIEW

BRACKET OPTION  
ONE SET OF 2 EACH



**INSTRUCTION FOR MOUNTING BRACKETS:**  
**TOOL REQUIRED: PHILLIPS HEAD SCREW DRIVER**  
**STEP 1: REMOVE RUBBER FEET FROM THE BOTTOM OF THE UNIT, DO NOT DISCARD THE FASTENERS.**  
**STEP 2: MOUNT THE BRACKETS WITH THE FASTENERS REMOVED IN STEP 1, USING THE COUNTER BORE HOLES IN THE BRACKET.**

BOTTOM VIEW  
SHOWN WITH RUBBER FEET REMOVED AND BRACKETS INSTALLED.

TOLERANCE: ±.005

CASE#	A	B	C	D	E	F	G	H	J	K	L	M	N	WT. GRAMS
MR2935	6.00 (152.4)	5.50 (139.7)	2.75 (69.88)	.27 (6.75)	4.11 (104.4)	.53 (13.5)	.28 (7.1)	.91 (23.23)	.92 (23.4)	.46 (11.7)	3.500 (88.9)	.375 (9.52)	6.75 (171.45)	1060

Dimensions are in inches (mm). Tolerances: 2 Pl.±.03; 3 Pl. ±.015

**Notes:**

- Case and Bracket material: Aluminum Alloy.
- Finish: For Case- Powder coating. Color: Blue, For Bracket- Clear Chemical conversion coating.



P.O. Box 350166, Brooklyn, New York 11235-0003 (718) 934-4500 Fax (718) 332-4661 For detailed performance specs & shopping online see Mini-Circuits web site



The Design Engineers Search Engine Provides ACTUAL Data Instantly From MINI-CIRCUITS At: [www.minicircuits.com](http://www.minicircuits.com)

RF/IF MICROWAVE COMPONENTS