

Technical Specification

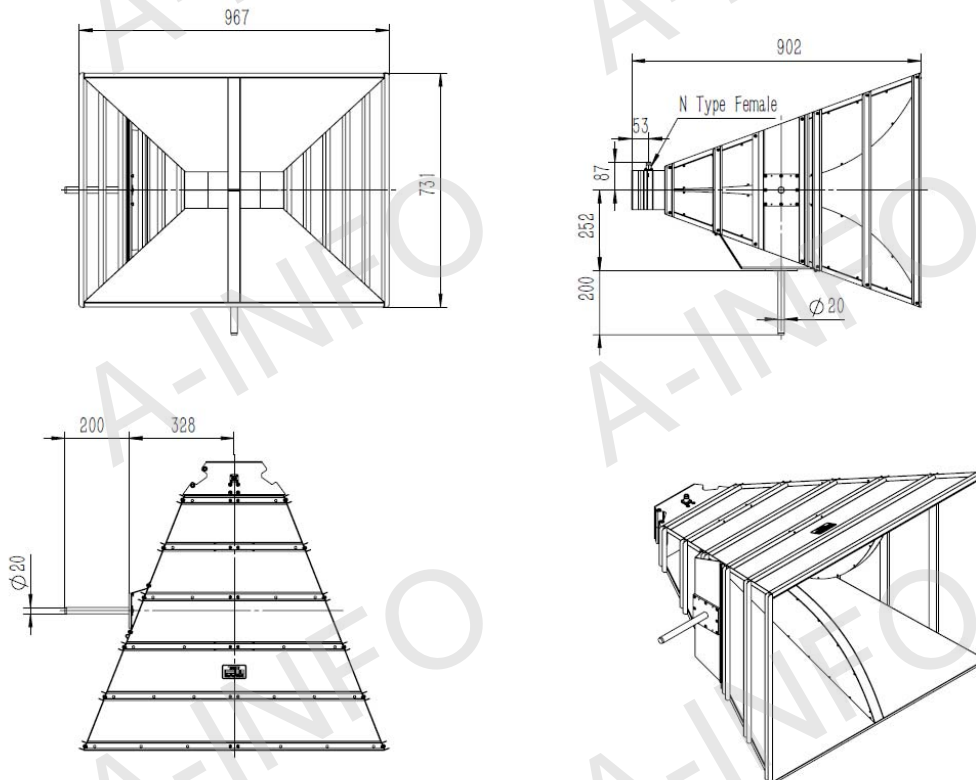


Frequency Range(GHz)	0.2 – 2.5
Gain(dBi)	12 Typ.
Polarization	Linear
3dB Beamwidth(deg)	E Plane: 94 - 37
	H Plane: 77 - 25
Cross Pol. Isolation(dB)	25 Typ.
VSWR	2.0:1 Typ.
Connector	N-Female
	or 7/16-Female
Power Handling(W)	N-Female: 800 Max. CW
	7/16-Female: 800 Max. CW
Material	Al
Size(mm)	967 x 731 x 902
Net Weight(Kg)	14.14 Around (16.34Kg Including Hand Holder)

Outline Drawing (Size: mm)

N-Female Output

For 7/16-Female output outline drawing, please contact A-INFO.



AINFO Inc.

Page 1 of 6

China(Beijing):
China(Chengdu):
USA :

Tel: (+86) 10-6266-7326,
Tel: (+86) 28-8519-2786,
Tel: (+1) 949-639-9688,

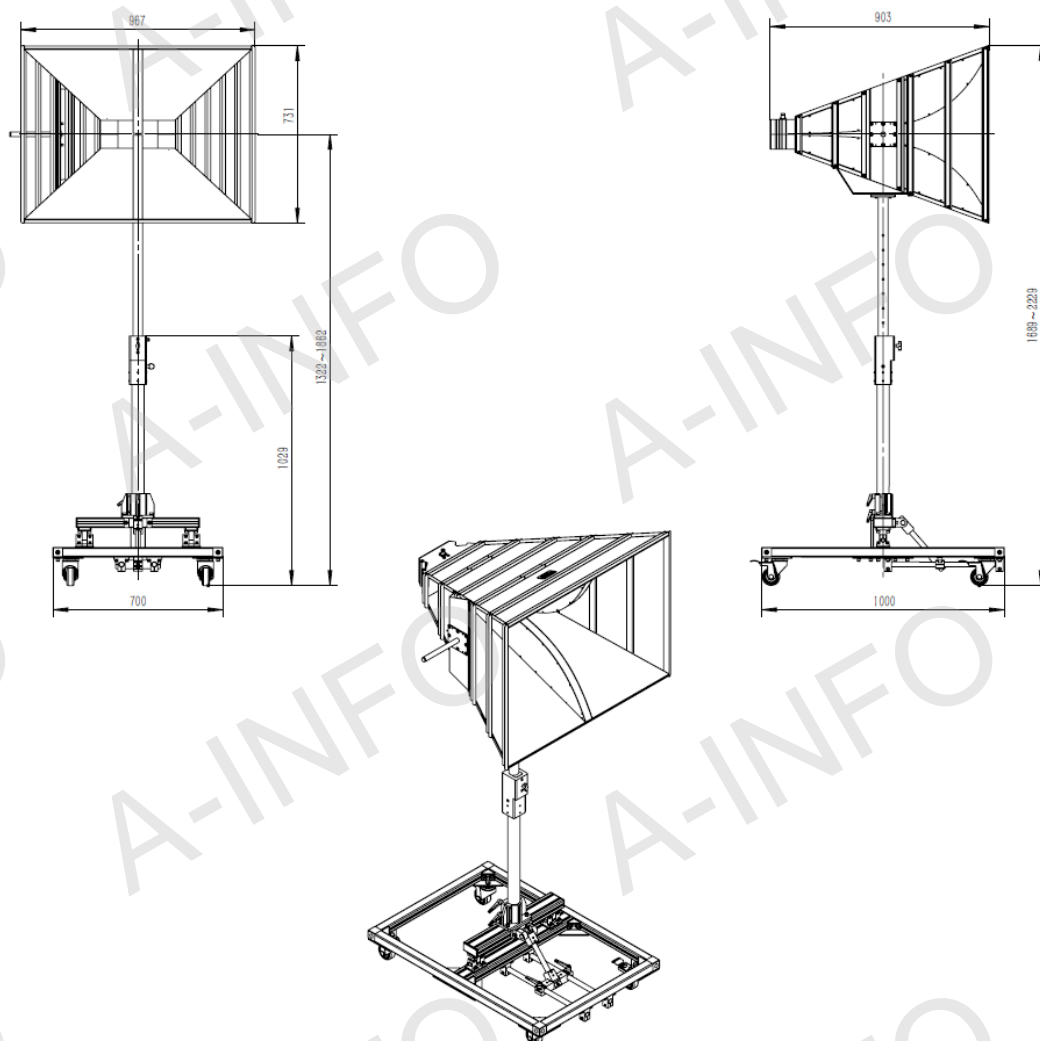
(+86) 10-6266-7327
(+86) 28-8519-3044
(+1) 949-639-9608

Fax: (+86) 10-6266-7379
Fax: (+86) 28-8519-3068
Fax: (+1) 949-639-9670

Website: www.ainfoinc.com
Email: sales@ainfoinc.com

N-Female Output with Tripod

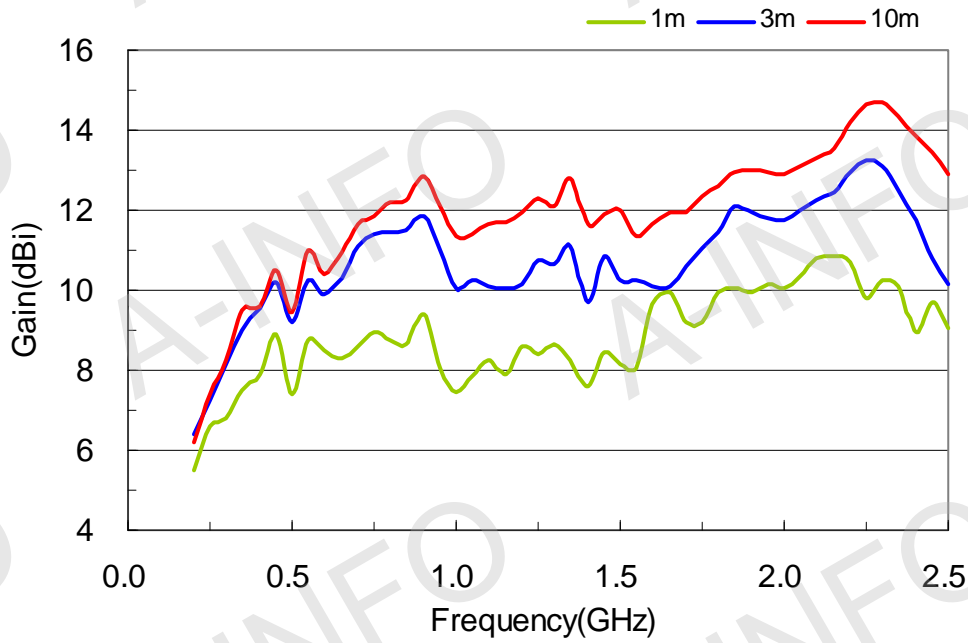
For 7/16-Female output outline drawing, please contact A-INFO.



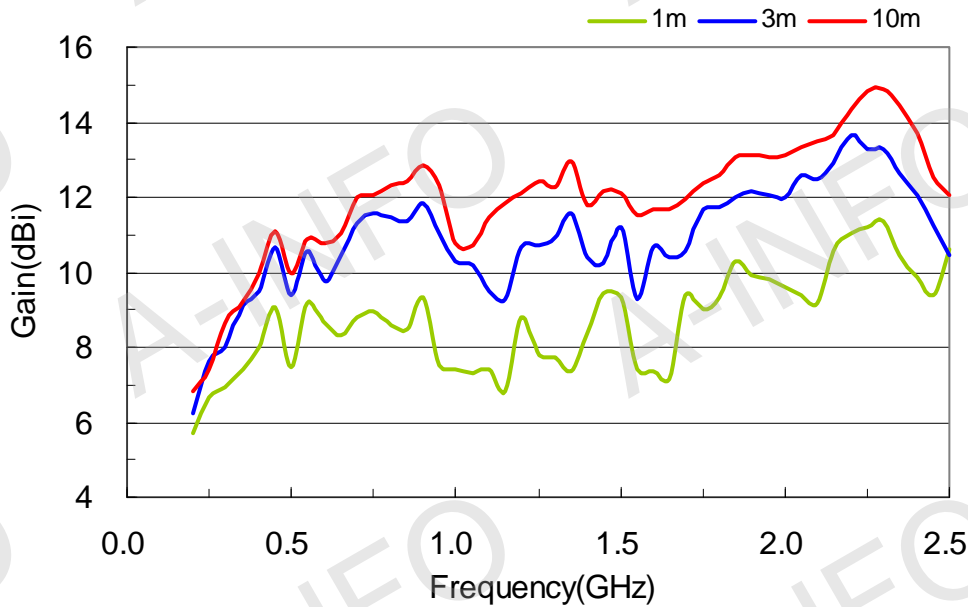
Test Results

1. Gain

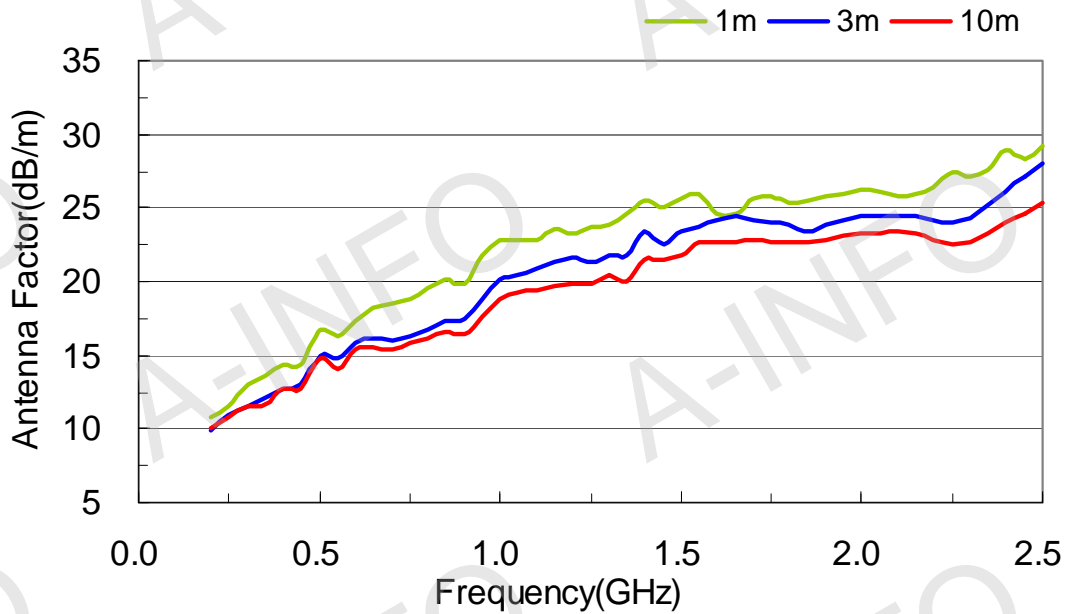
Horizontal Polarization



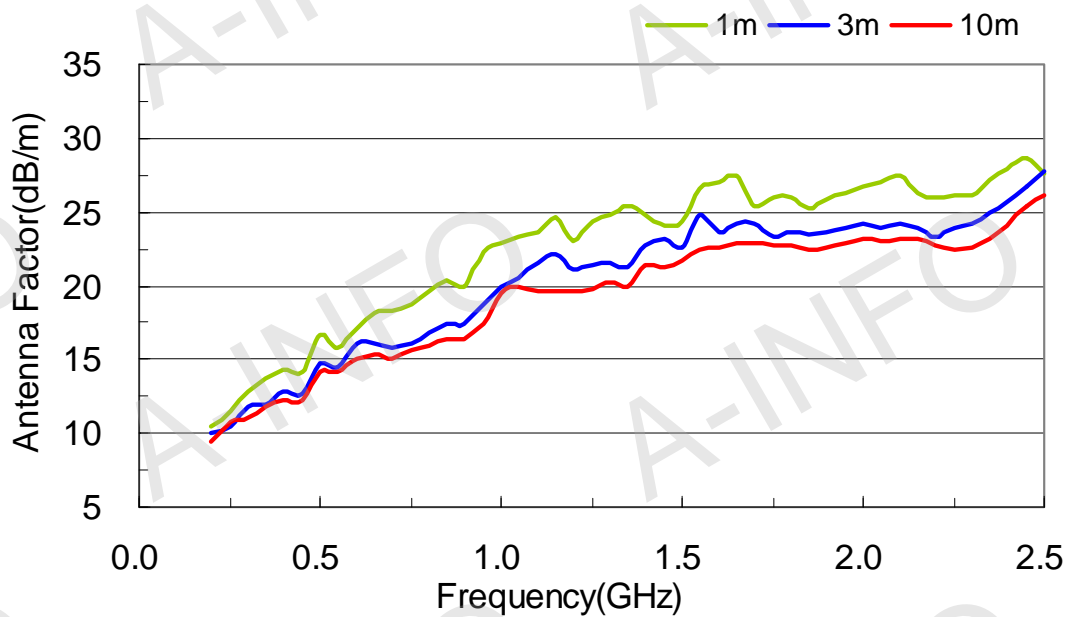
Vertical Polarization



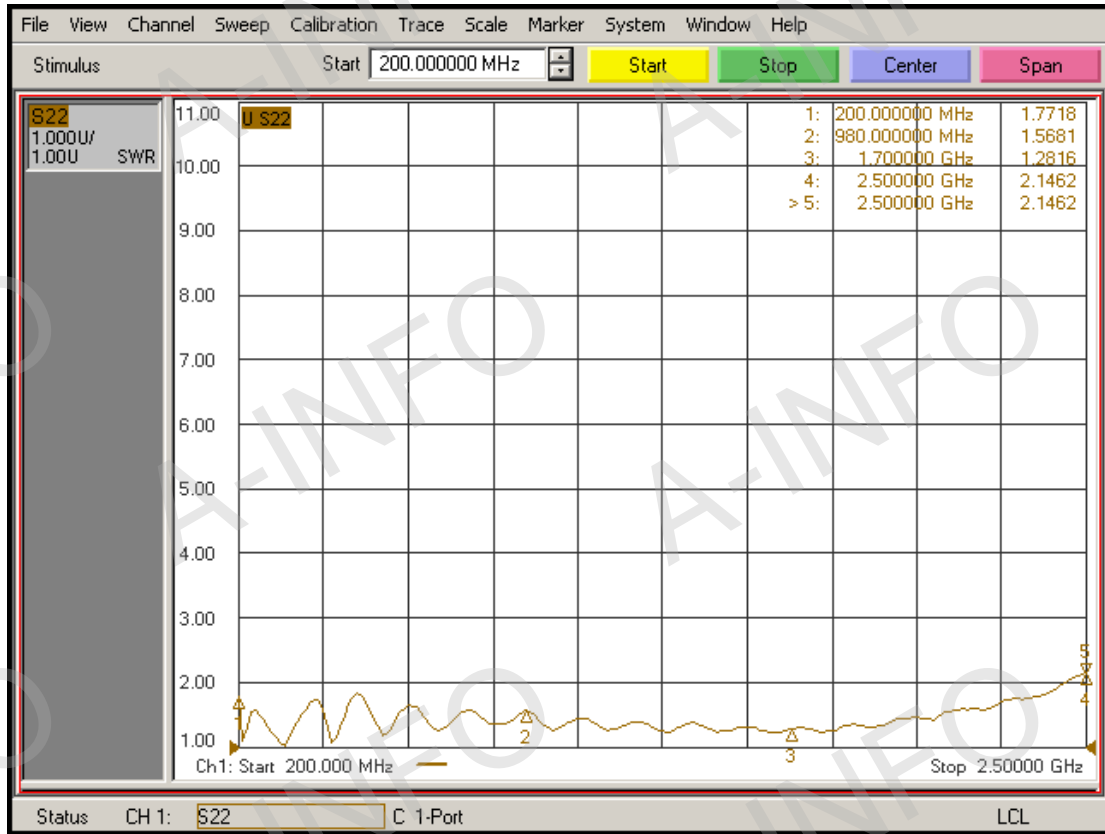
2. Antenna Factor Horizontal Polarization



Vertical Polarization



3. VSWR



4. Pattern

