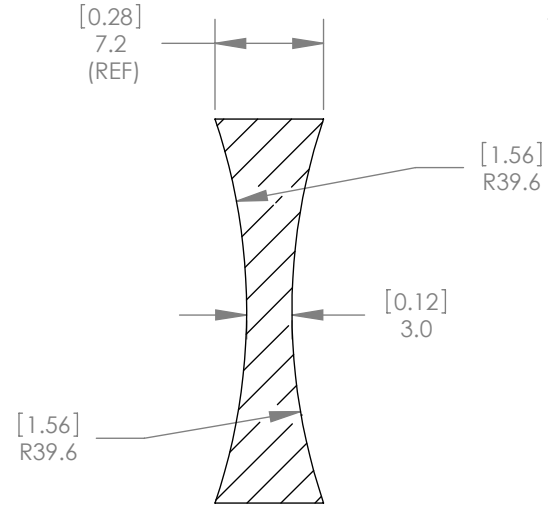
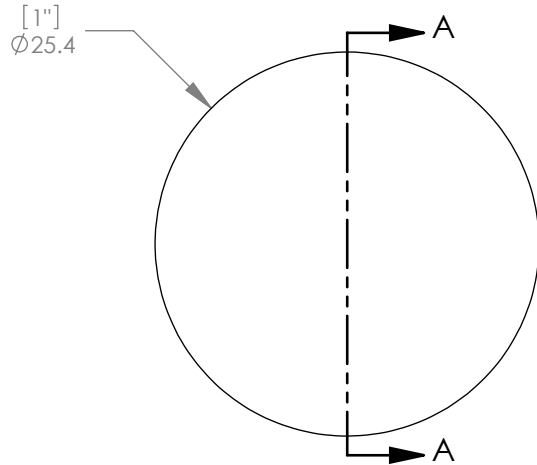




1:1 ISOMETRIC VIEW FOR REFERENCE ONLY



SECTION A-A

NOTES/SPECIFICATIONS:

1. DESIGN WAVELENGTH: 587.6nm
2. FOCAL LENGTH:  $f = -25.0\text{mm} \pm 1\%$
3. BACK FOCAL LENGTH(REF):  $bf = -25.6\text{mm}$
4. CLEAR APERTURE:  $>90\%$
5. SURFACE QUALITY: 40-20 SCRATCH-DIG
6. CENTRATION:  $<3\text{arcmin}$
7. DIAMETER TOLERANCE:  $+0.0/-0.1\text{mm}$
8. THICKNESS TOLERANCE:  $\pm 0.1\text{mm}$
9. COATING: BBAR  $R_{\text{avg}} < 0.5\%$  FROM 650nm-1050nm,  $0^\circ$  AOI, ON OUTER OPTICAL SURFACES

ALL DIMENSIONS ARE IN THE FORM [in]  
mm:  
THIS DRAWING IS FOR INFORMATION ONLY  
NOT INTENDED FOR MANUFACTURING

**THORLABS INC.** PO BOX 366  
NEWTON NJ

TITLE: D=25.4 f= -25.0 N-SF11 B  
COAT BI CONCAVE LENS

MATERIAL: N-SF11 SIZE A REV. B

SCALE: 2:1 SHEET 1 OF 1

DWG. NO. 5459-E01 PART NO. LD2297-B

	NAME	DATE
DRAWN	BAG	12/14/2009
ENG APPR.	SG	12/22/2009
MFG APPR.	PM	12/23/2009

**PROPRIETARY AND CONFIDENTIAL**

THE INFORMATION CONTAINED IN THIS DRAWING IS THE SOLE PROPERTY OF THORLABS, INC. ANY REPRODUCTION IN PART OR AS A WHOLE WITHOUT THE WRITTEN PERMISSION OF THORLABS, INC. IS PROHIBITED.