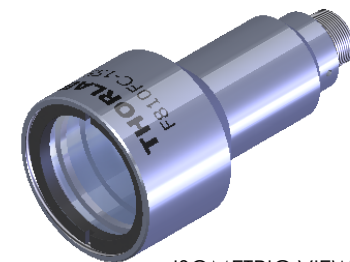
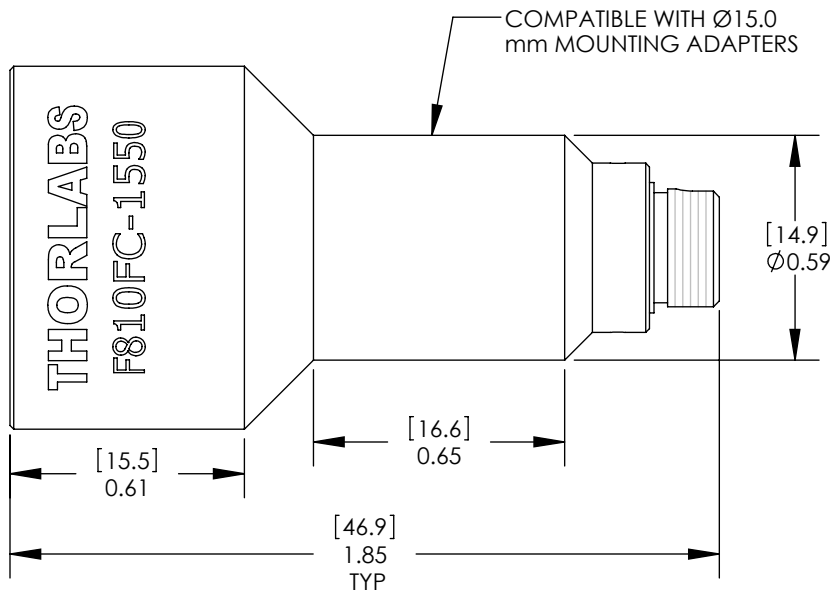


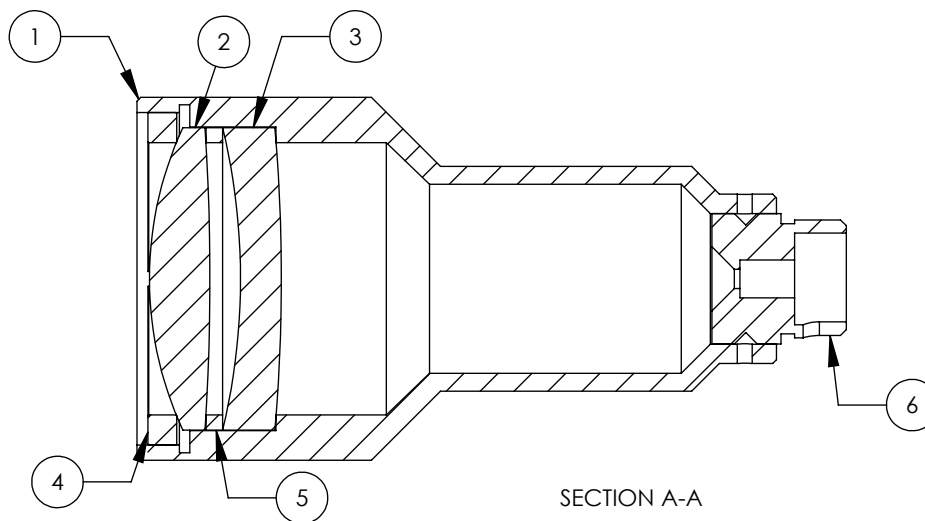
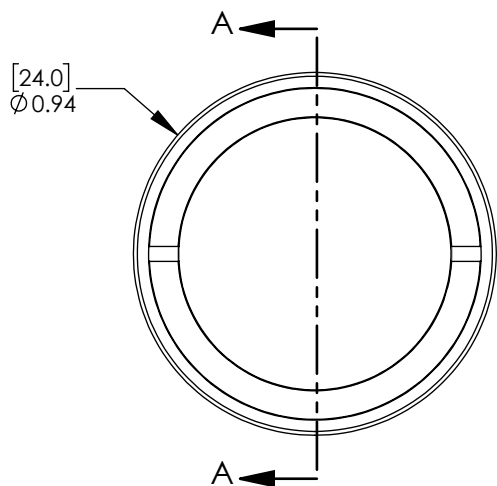
ITEM	MATERIAL
①	HOUSING
②	LENS
③	LENS
④	RETAINING RING
⑤	SPACER
⑥	FC/PC PLUG ADAPTER

SPECIFICATIONS

DESIGN WAVELENGTH	1550 nm
DESIGN MFD	9.2 μm
OUTPUT $1/e^2$ BEAM DIAMETER	7.0 mm
FULL ANGLE BEAM DIVERGENCE	0.016°
AR COATING	BBAR 1050-1620 nm, $R_{\text{avg}} < 0.5\%$



ISOMETRIC VIEW
SCALE 1:1



THORLABS FIBER COLLIMATION PACKAGES ARE DESIGNED TO COLLIMATE A LASER BEAM PROPAGATING OUT THE END OF AN OPTICAL FIBER. EACH COLLIMATION PACKAGE IS FACTORY ALIGNED SO THAT THE BEST POSSIBLE DIVERGENCE IS ACHIEVED.

FOR INFORMATION ONLY
NOT FOR MANUFACTURING PURPOSES

DRAWING PROJECTION



	NAME	DATE
DRAWN	GG	05/05/2010
APPROVAL	BAG	08/26/2021

COPYRIGHT © 2021 BY THORLABS

VALUES IN PARENTHESIS ARE CALCULATED AND MAY CONTAIN ROUND OFF ERRORS

THORLABS
www.thorlabs.com

$\lambda = 1550$ nm FC/PC COLLIMATION PACKAGE, NA=0.24 f=37.13 mm

MATERIAL SEE TABLE

REV
E

ITEM #
F810FC-1550

APPROX WEIGHT
40 g