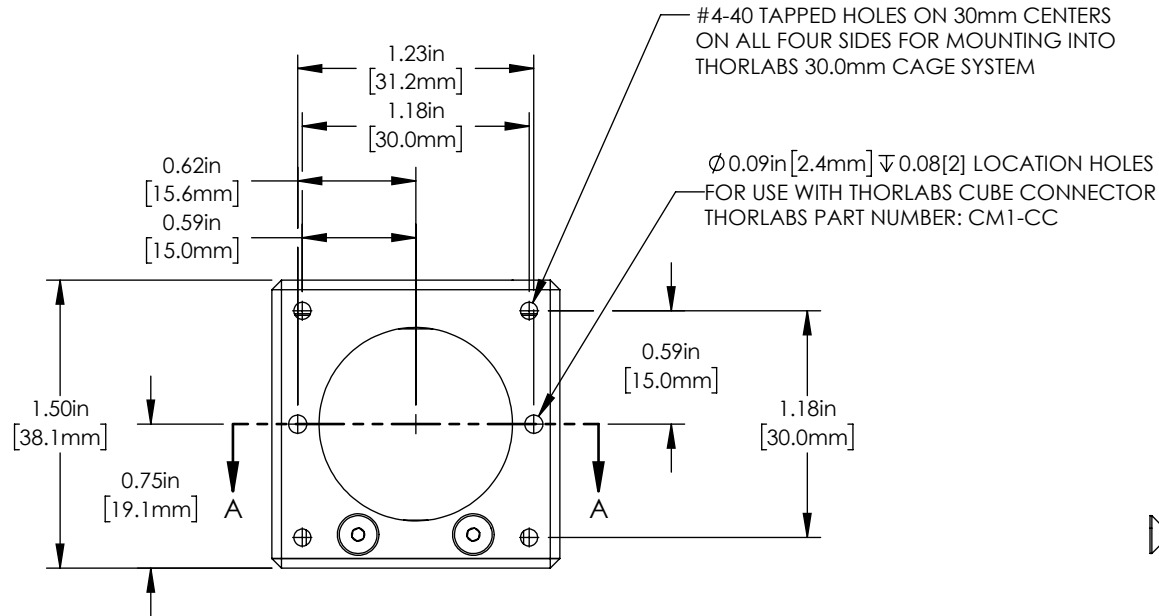
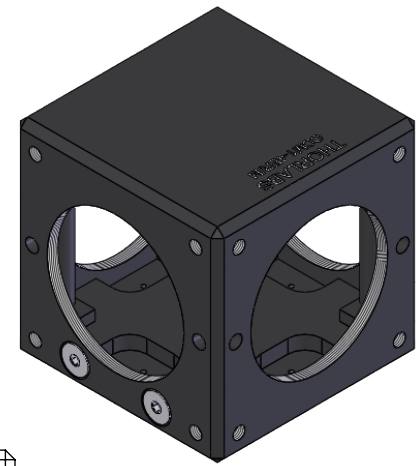


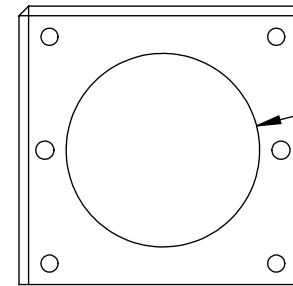
SECTION A-A

**FOR PROPER MOUNTING,
OPTIC MUST SIT FLUSH WITH
ALL THREE ALIGNMENT FACES
OF THE BASE



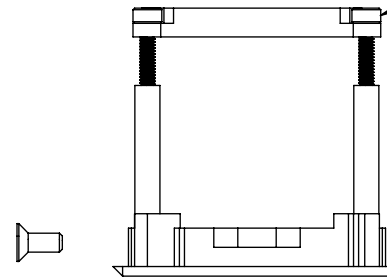
#4-40 TAPPED HOLES ON 30mm CENTERS
ON ALL FOUR SIDES FOR MOUNTING INTO
THORLABS 30.0mm CAGE SYSTEM

$\varnothing 0.09\text{in} [2.4\text{mm}] \mp 0.08 [2]$ LOCATION HOLES
FOR USE WITH THORLABS CUBE CONNECTOR
THORLABS PART NUMBER: CM1-CC

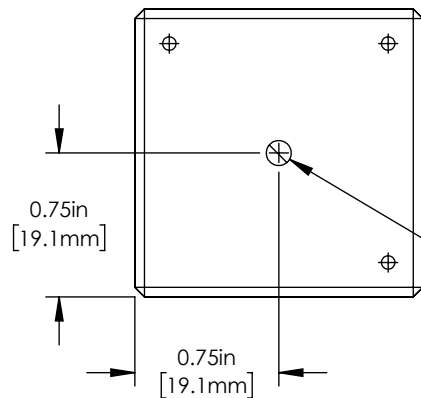


SM1 ($\varnothing 1.035-40$) THREAD

3X M2 x 12mm
HEX SIZE: 1.5mm



4X M2.5 x 6mm
HEX SIZE: 1.5mm



M4X0.7 - 6H $\mp 0.24\text{in} [6.0\text{mm}]$

FOR INFORMATION ONLY
NOT FOR MANUFACTURING PURPOSES

DRAWING PROJECTION			THORLABS www.thorlabs.com	
NAME	DATE	30mm 4-PORT PRISM/MIRROR CAGE MOUNT, M4 TAP		
DRAWN	CFS	16/APR/15	REV B	
APPROVAL	PK	24/OCT/23	MATERIAL	N/A
COPYRIGHT © 2015 BY THORLABS			ITEM #	APPROX WEIGHT
VALUES IN PARENTHESIS ARE CALCULATED AND MAY CONTAIN ROUND OFF ERRORS			CCM1-4ER/M	0.055 kg