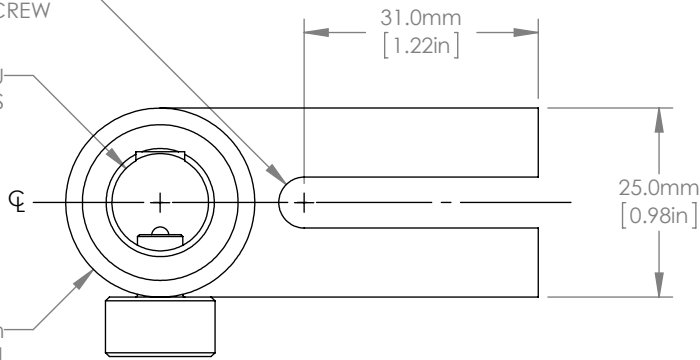


CLEARANCE SLOT
FOR USE WITH M6 (1/4-20) CAP SCREW

Ø 12.8mm [Ø 0.50in] THRU
FOR USE WITH TR SERIES POSTS

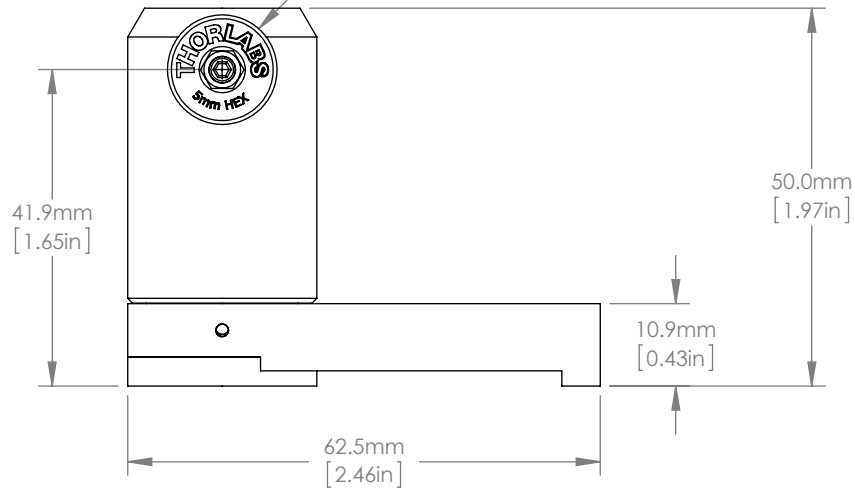
Ø 25.0mm
[Ø 0.98in]



31.0mm
[1.22in]

25.0mm
[0.98in]

TS25H (INCLUDED)
SPRING-LOADED THUMBSCREW
5.0mm HEX SOCKET

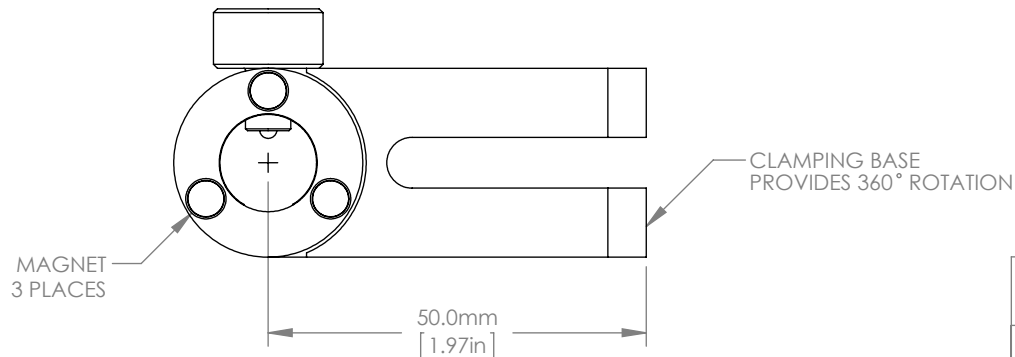


41.9mm
[1.65in]

50.0mm
[1.97in]

10.9mm
[0.43in]

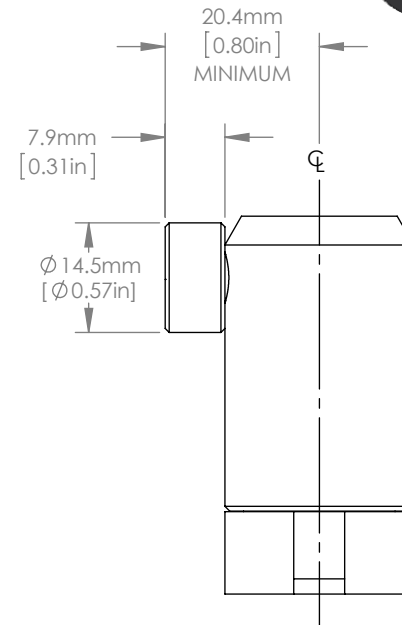
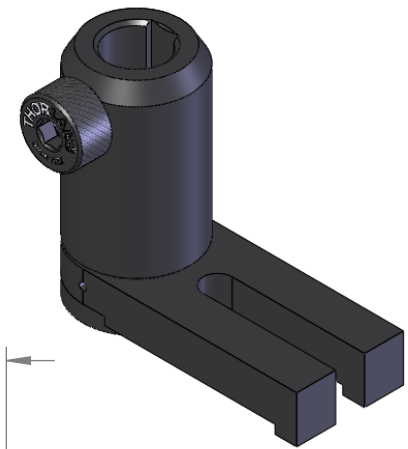
62.5mm
[2.46in]



MAGNET
3 PLACES

50.0mm
[1.97in]

CLAMPING BASE
PROVIDES 360° ROTATION



20.4mm
[0.80in]
MINIMUM

7.9mm
[0.31in]

Ø 14.5mm
[Ø 0.57in]

FOR INFORMATION ONLY
NOT FOR MANUFACTURING PURPOSES

DRAWING PROJECTION			THORLABS www.thorlabs.com	
REDRAWN	NAME	DATE	METRIC UNIVERSAL POST HOLDER 50.0mm	
APPROVAL	CG	08/JUN/15	MATERIAL	
	AV	15/JUN/15	N/A	
COPYRIGHT © 2015 BY THORLABS			ITEM #	APPROX WEIGHT
VALUES IN PARENTHESIS ARE CALCULATED AND MAY CONTAIN ROUND OFF ERRORS			UPH50/M	0.07 kg
			REV	A