

Technical Specification



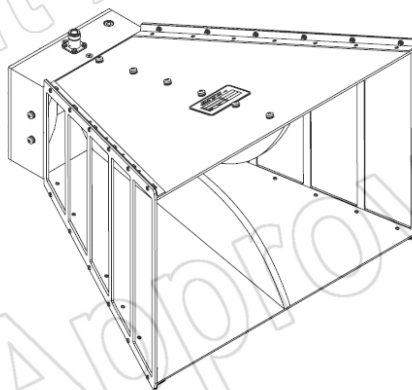
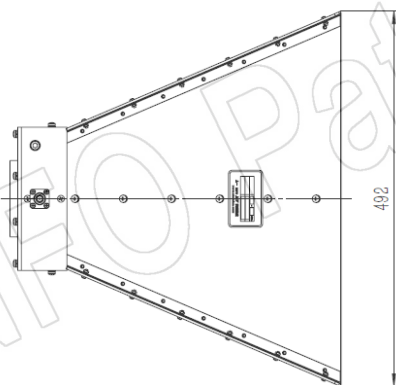
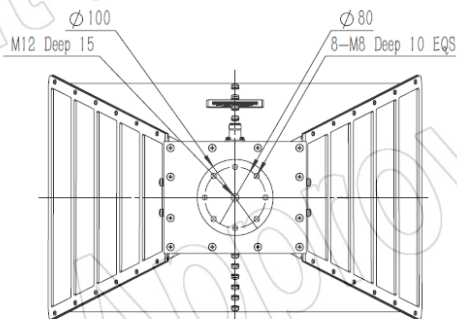
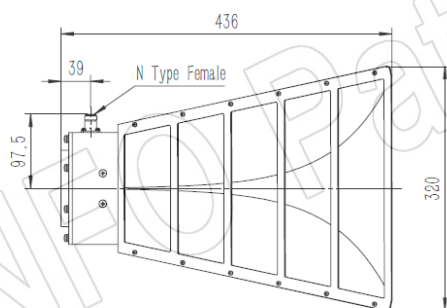
Frequency Range(GHz)	0.4 - 6.0
Gain(dBi)	10 Typ.
Polarization	Linear
3dB Beamwidth(deg)	E Plane: 104 - 31
	H Plane: 94 - 35
Cross Pol. Isolation(dB)	25 Typ.
VSWR	1.5:1 Typ.
Connector	N-Female
Power Handling(W CW)	500 Max.
Material	Al
Size(mm)	492 x 320 x 436
Net Weight(Kg)	7.4 Around

PATENT ID (China)

ZL201630454765.2

Outline Drawing (Size: mm)

N-Female Output (P/N: LB-460-NF)



AINFO Inc.

Page 1 of 8

China(Beijing):
China(Chengdu):
USA :

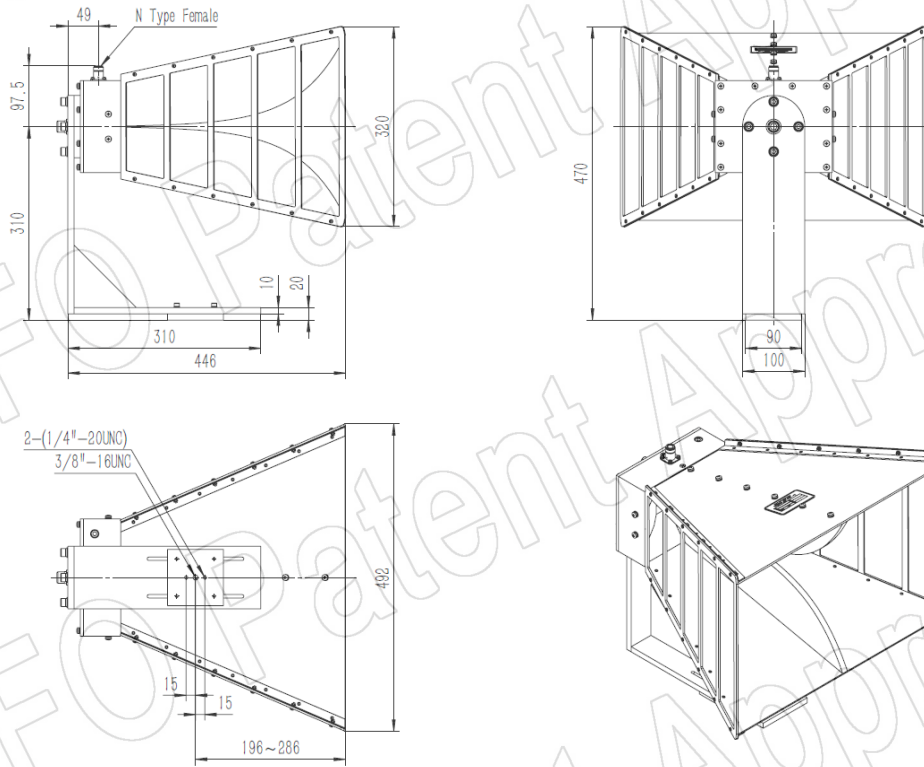
Tel: (+86) 10-6266-7326,
Tel: (+86) 28-8519-2786,
Tel: (+1) 949-639-9688,

(+86) 10-6266-7327
(+86) 28-8519-3044
(+1) 949-639-9608

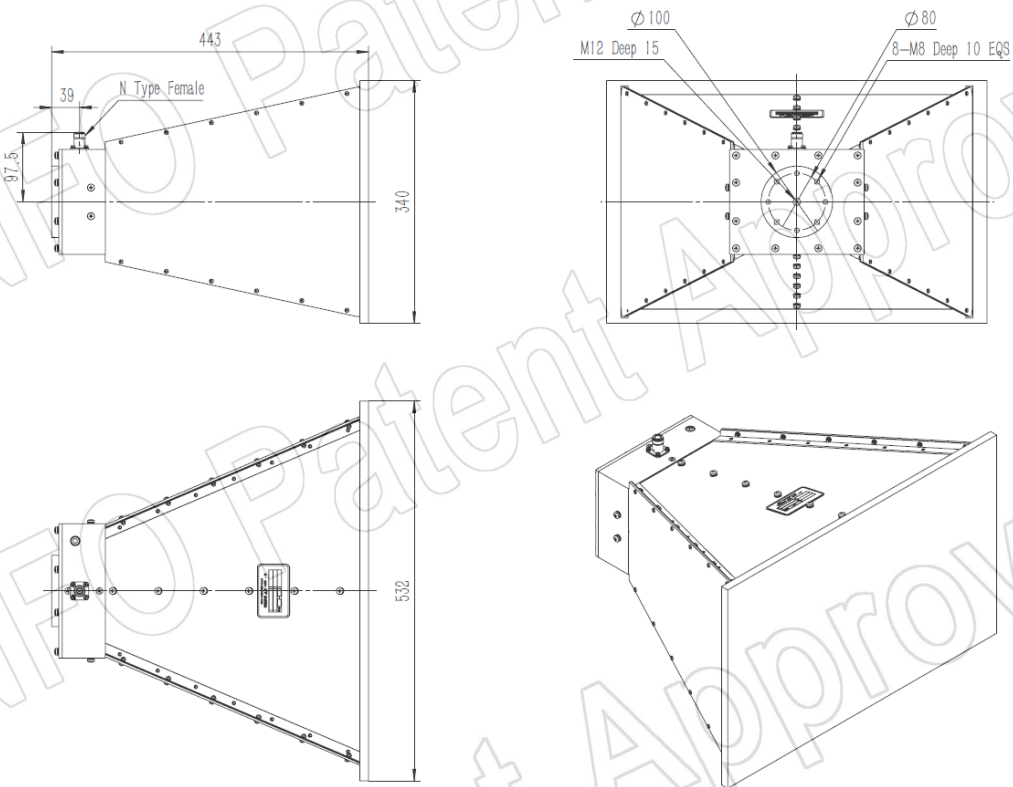
Fax: (+86) 10-6266-7379
Fax: (+86) 28-8519-3068
Fax: (+1) 949-639-9670

Website: www.ainfoinc.com
Email: sales@ainfoinc.com

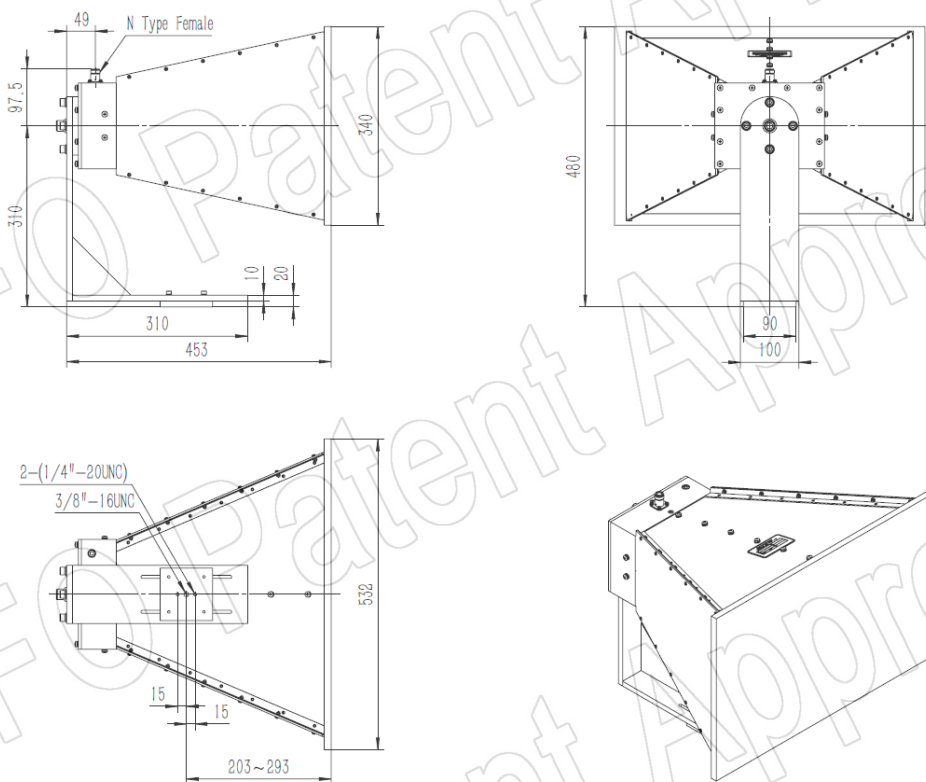
N-Female Output with L Type Mounting Bracket (Option, P/N: LB-460-L)



N-Female Output with Radome (Option, P/N: LB-460-NFSPO, Outdoor Application)

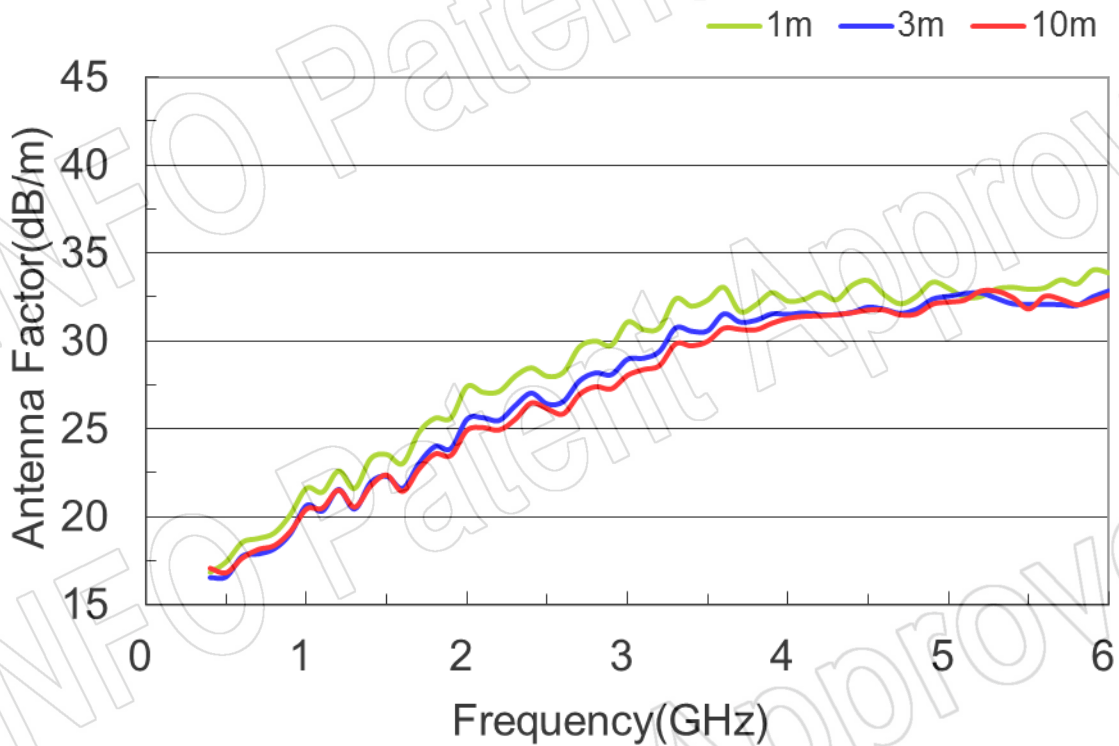
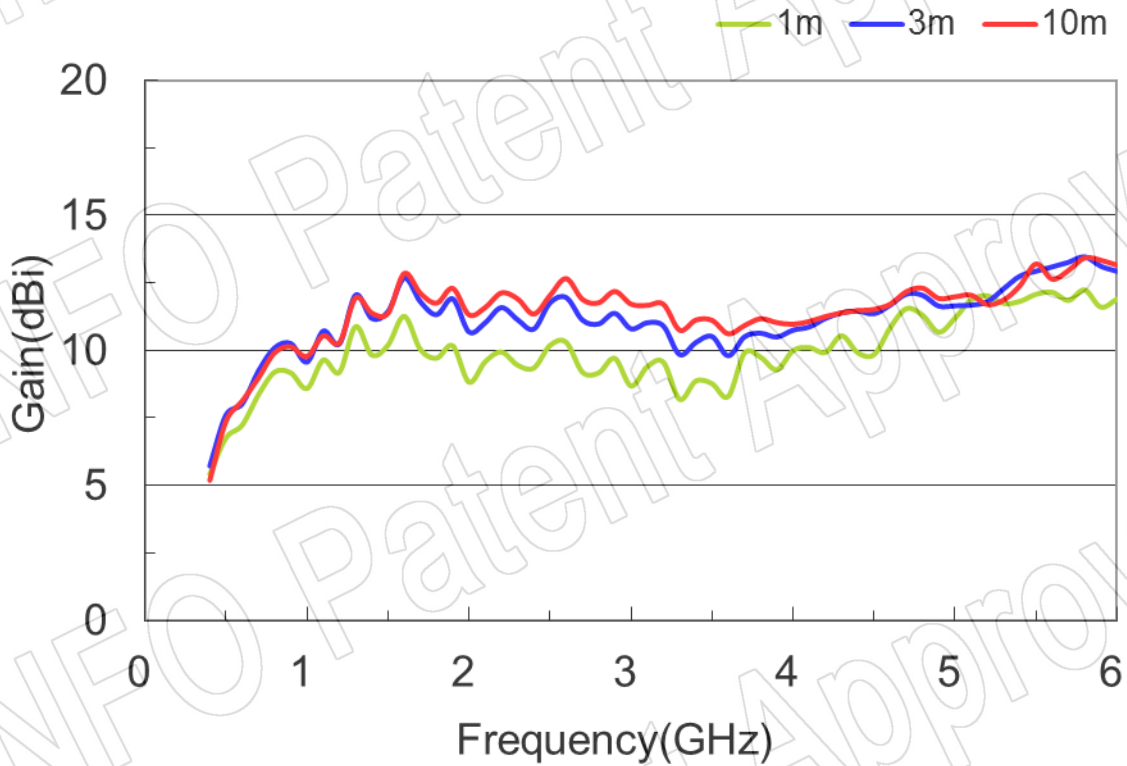


N-Female Output with L Type Mounting Bracket & Radome (Option, P/N: LB-460-L & LB-460-NFSP0, Outdoor Application)

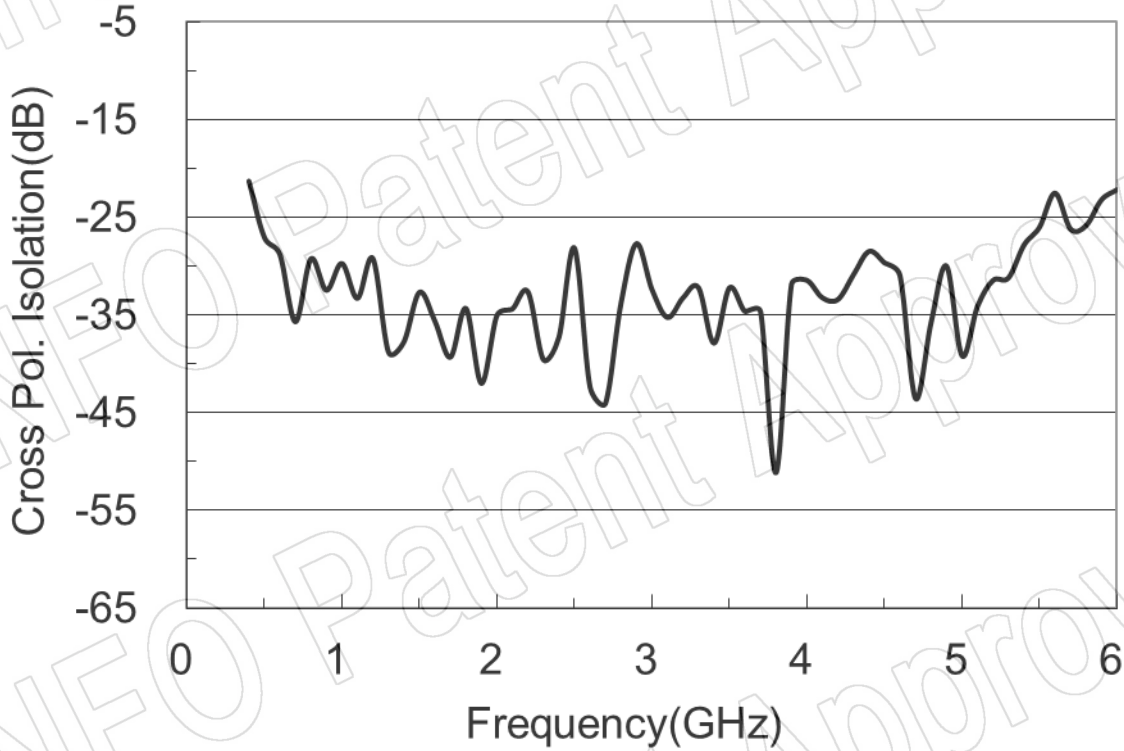


Test Results

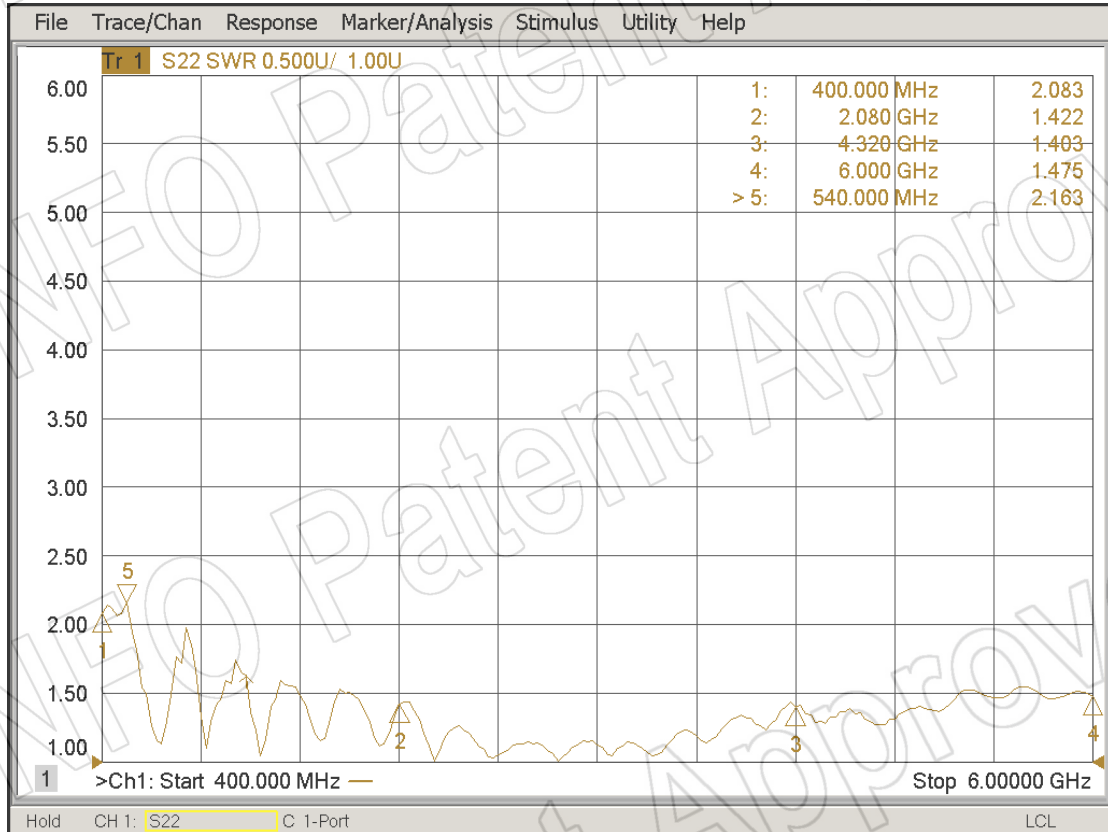
1. Gain & Antenna Factor



2. Cross Polarization Isolation



3. VSWR



4. Pattern

