

Technical Specification

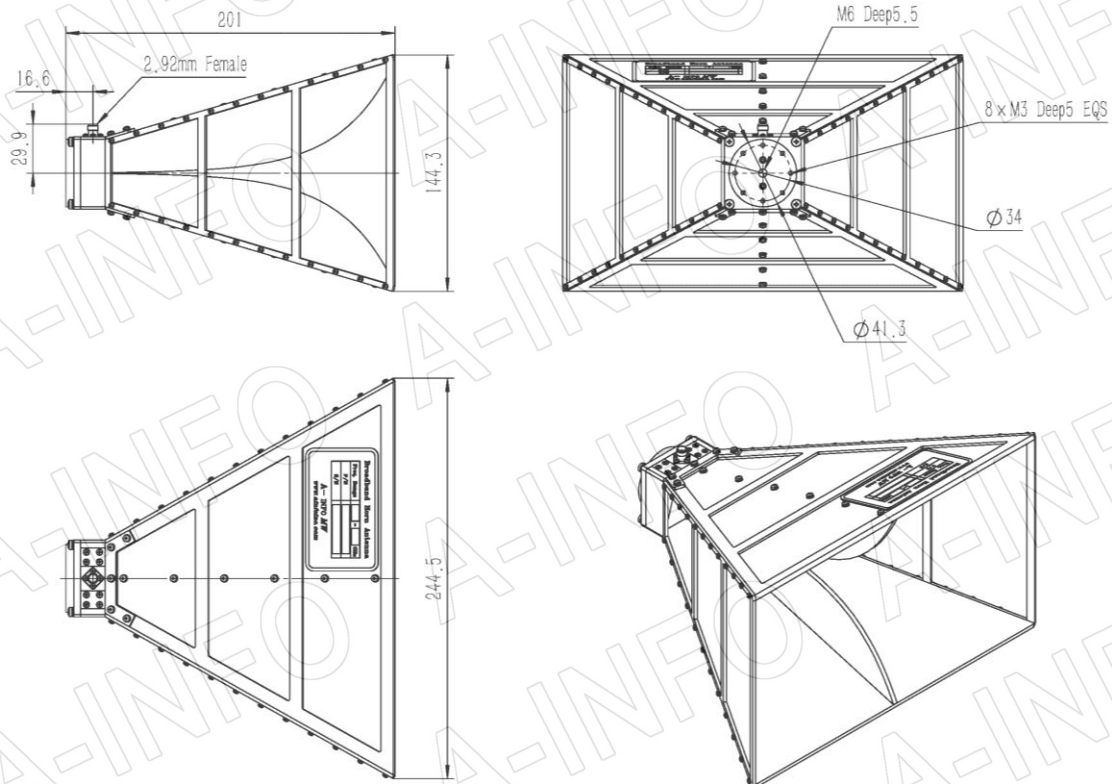


Frequency Range(GHz)	0.8 – 40.0
Gain(dBi)	12 Typ.
Polarization	Linear
3dB Beamwidth(deg)	E Plane: 102 – 23
	H Plane: 90 – 18
Cross Pol. Isolation(dB)	25 Typ.
VSWR	1.50:1 Typ.
Connector	2.92mm-Female
	2.4mm-Female
Power Handling(W CW)	2.92mm-F: 20 Max.
	2.4mm-F: 10 Max.
Material	Al
Size(mm)	244.5 x 144.3 x 201
Net Weight(Kg)	0.61 Around

Outline Drawing (Size: mm)

2.92mm-Female Output (P/N: LB-8400-KF)

For 2.4mm-Female output outline drawing, please contact A-INFO.



AINFO Inc.

Page 1 of 18

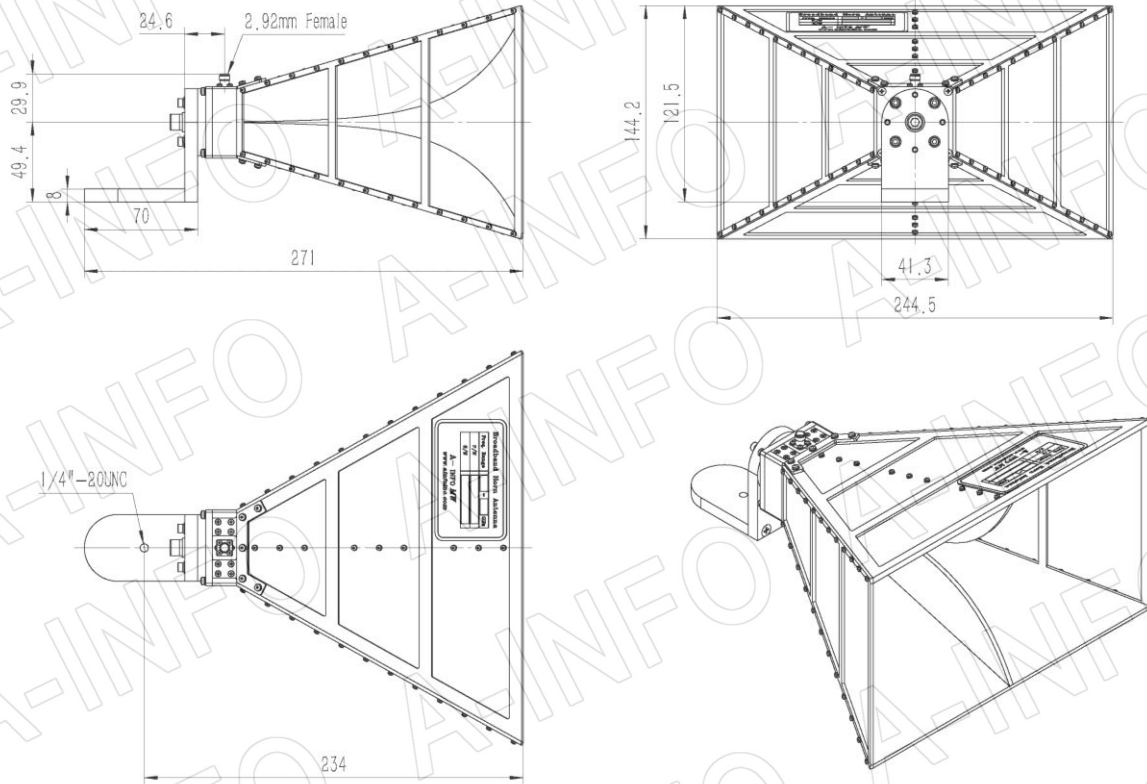
China(Beijing): Tel: (+86) 10-6266-7326,
China(Chengdu): Tel: (+86) 28-8519-2786,
USA: Tel: (+1) 949-639-9688,

(+86) 10-6266-7327 Fax: (+86) 10-6266-7379
(+86) 28-8519-3044 Fax: (+86) 28-8519-3068
(+1) 949-639-9608 Fax: (+1) 949-639-9670

Website: www.ainfoinc.com
Email: sales@ainfoinc.com

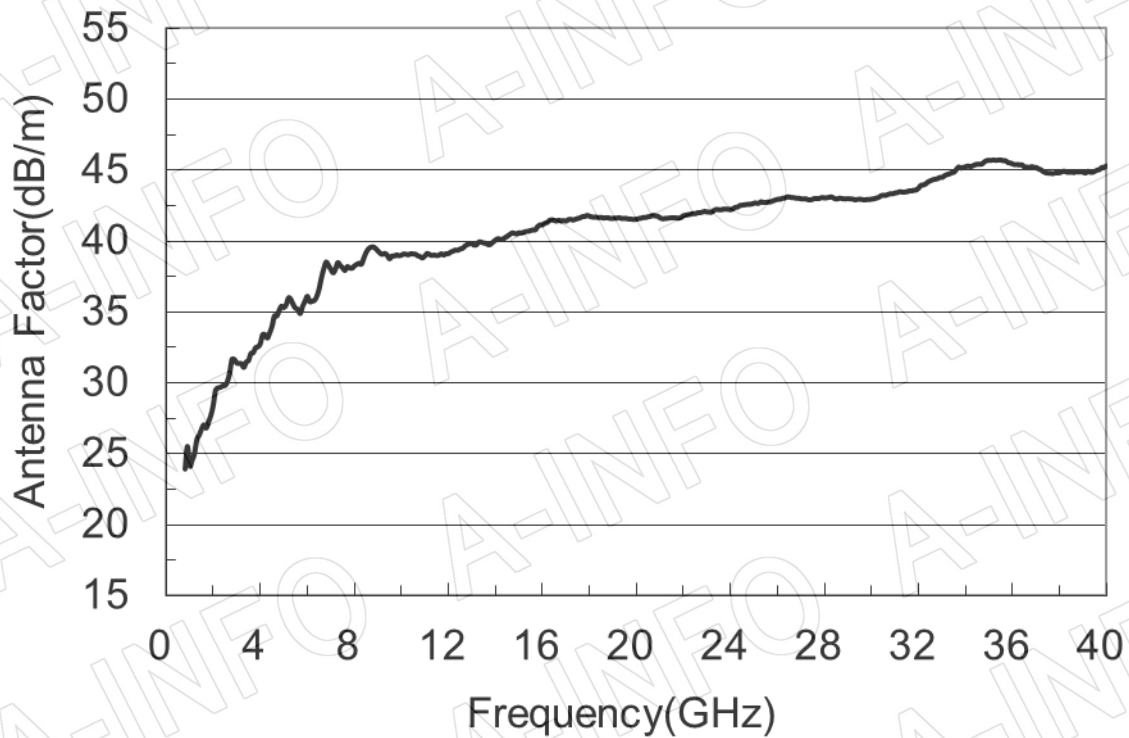
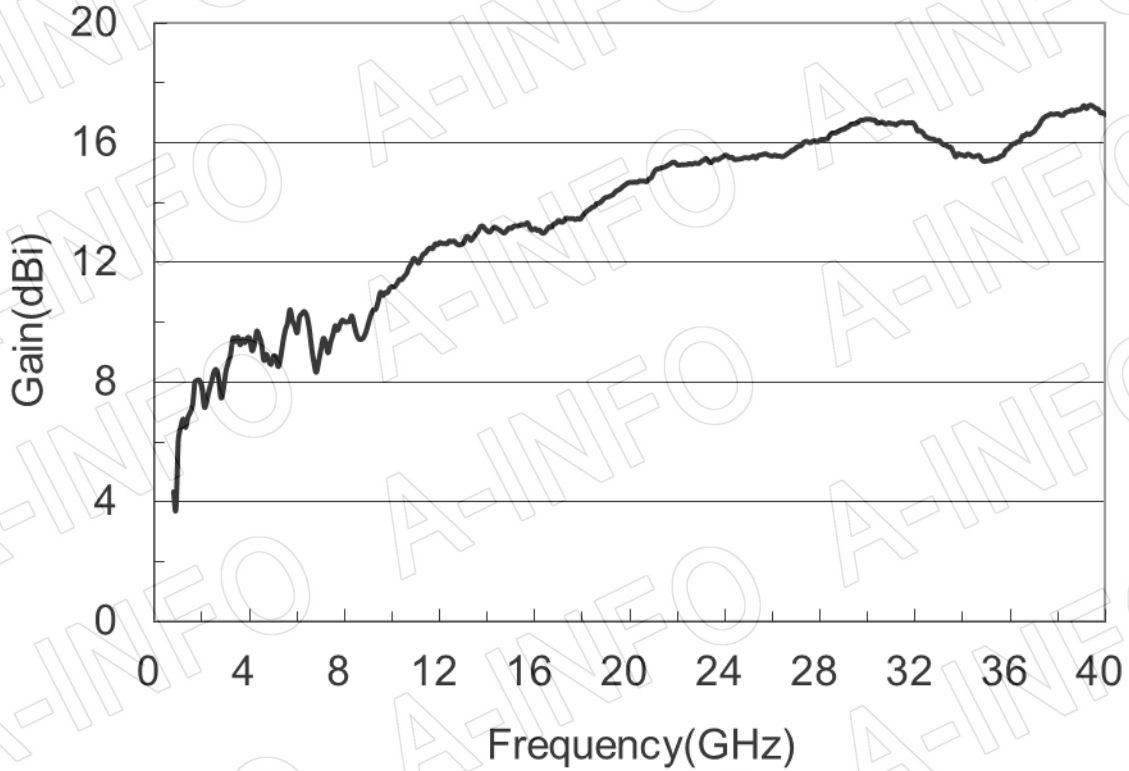
2.92mm-Female Output with L Type Mounting Bracket (Option, P/N: LB-20180-L)

For 2.4mm-Female output outline drawing, please contact A-INFO.

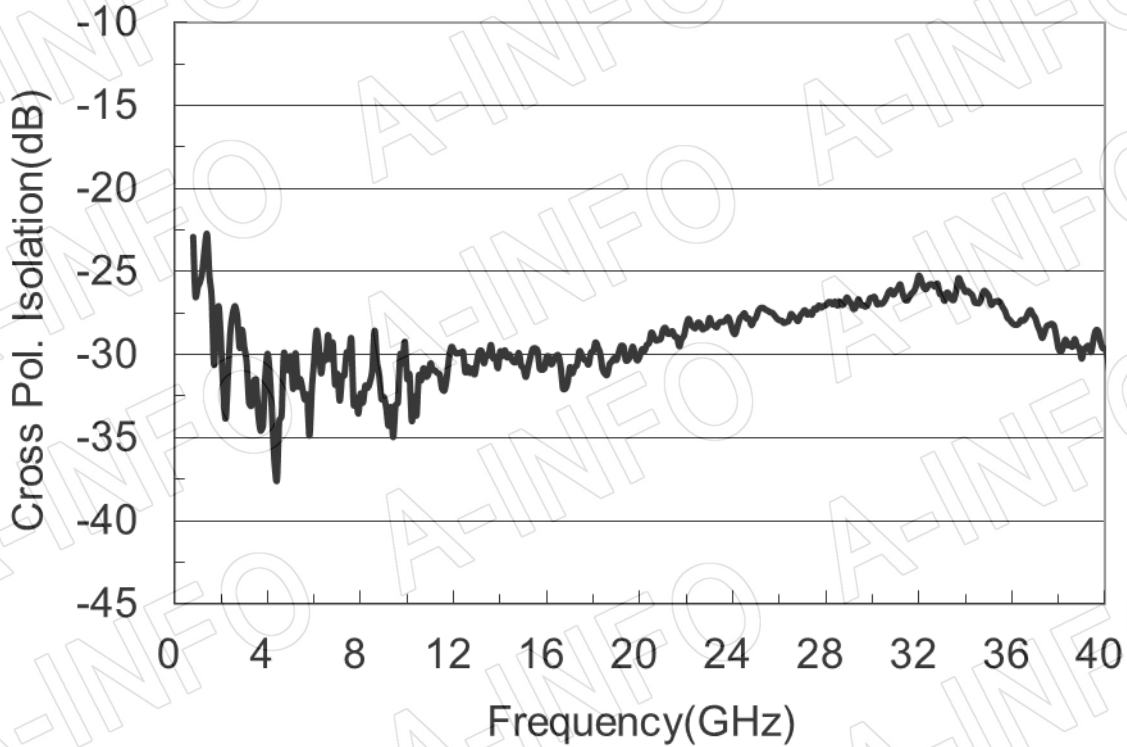


Test Results

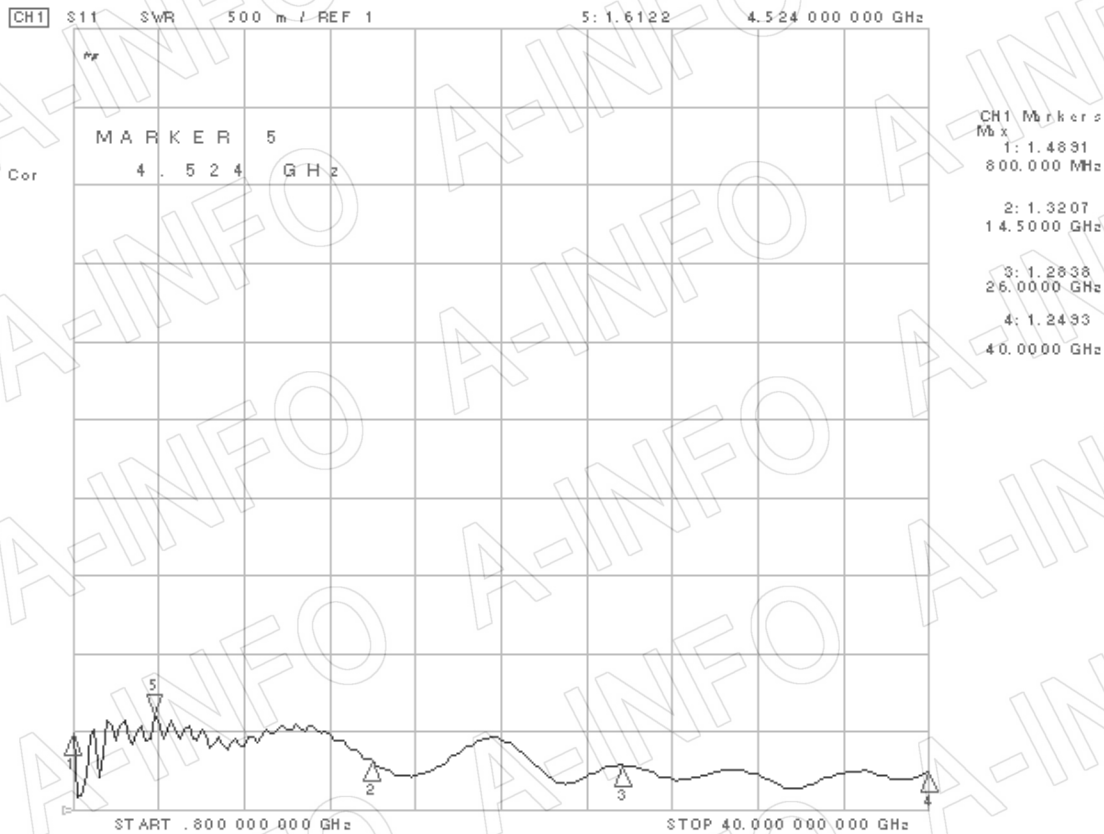
1. Gain & Antenna Factor



2. Cross Polarization Isolation



3. VSWR



4. Pattern

