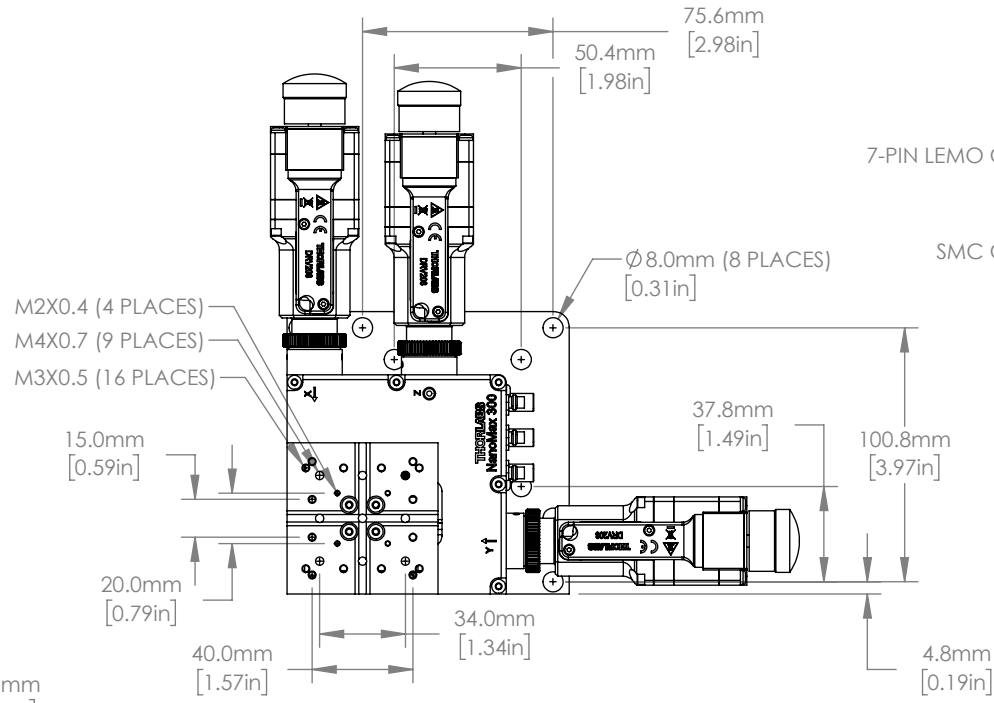


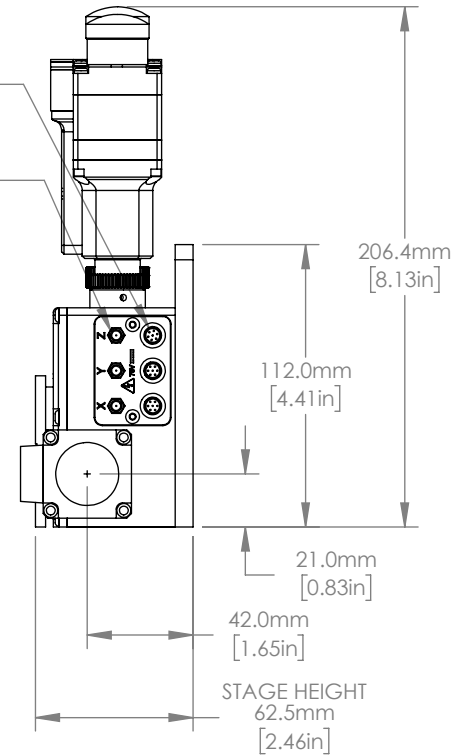
CABLES OMITTED FOR CLARITY



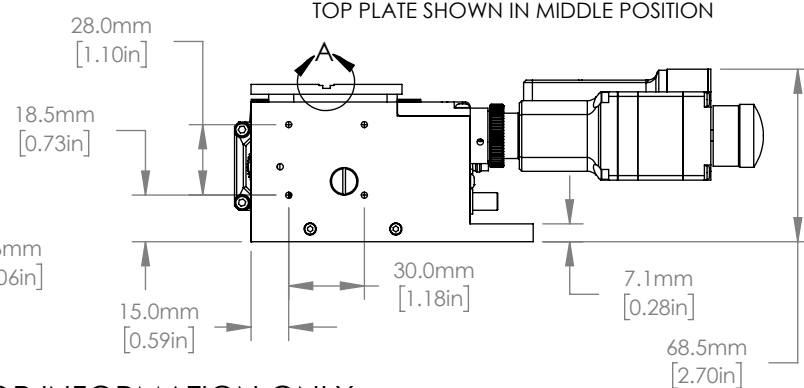
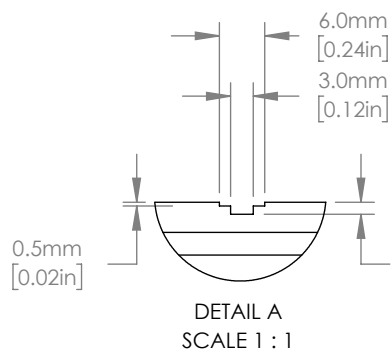
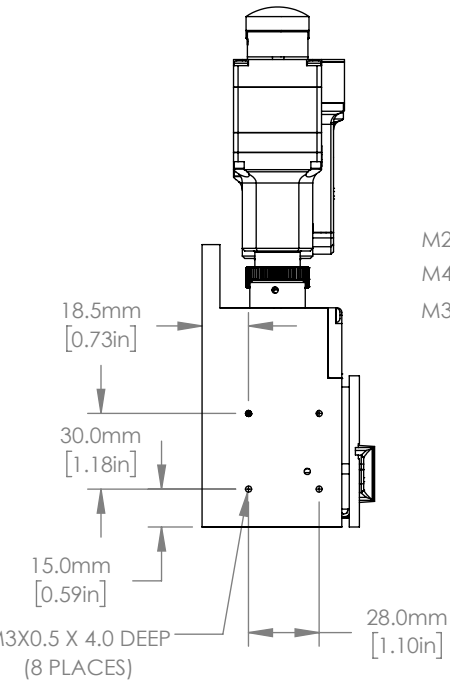
7-PIN LEMO CONNECTOR (3 PLACES)

SMC CONNECTOR (3 PLACES)

M2X0.4 (4 PLACES)
M4X0.7 (9 PLACES)
M3X0.5 (16 PLACES)



NOTE - HOLE PATTERN SYMETRICAL
MAX BOLT ENGAGEMENT IN TOP PLATE - 0.16" (3.8mm)
TOP PLATE SHOWN IN MIDDLE POSITION



DRAWING PROJECTION			
NAME	DATE	3-AXIS NANOMAX STAGE, STEPPER MOTORS CLOSED-LOOP PIEZOS	
DRAWN	F.B.	02/NOV/18	MATERIAL
APPROVAL	I.G.	02/NOV/18	N/A
COPYRIGHT © 2018 BY THORLABS			
VALUES IN PARENTHESIS ARE CALCULATED AND MAY CONTAIN ROUND OFF ERRORS		ITEM #	APPROX WEIGHT
		MAX381/M	2.8 kg

THORLABS www.thorlabs.com		REV	A

FOR INFORMATION ONLY
NOT FOR MANUFACTURING PURPOSES