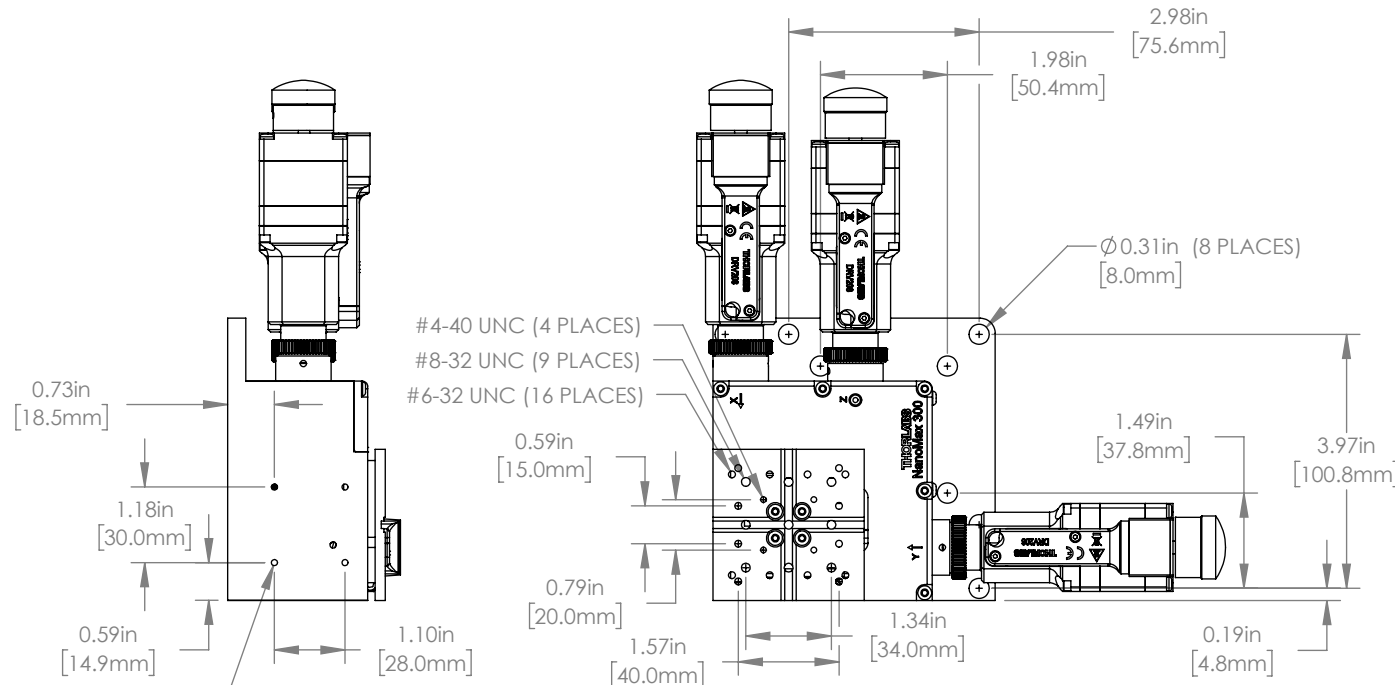


CABLES OMITTED FOR CLARITY

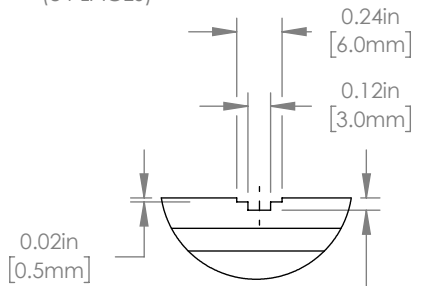
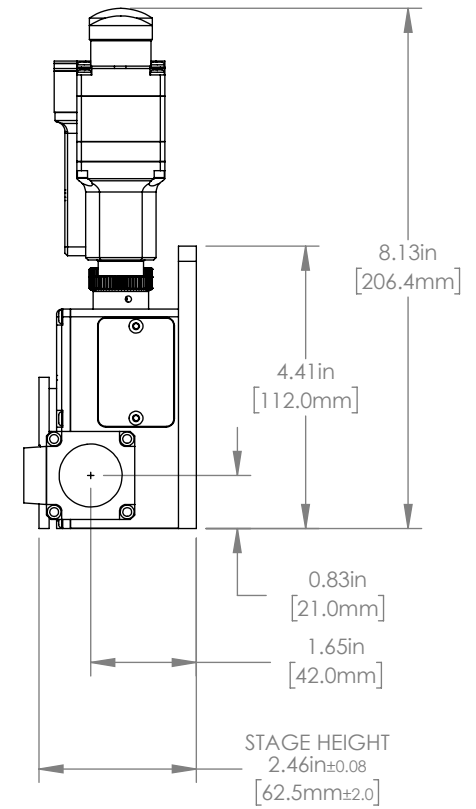


- #4-40 UNC (4 PLACES)
- #8-32 UNC (9 PLACES)
- #6-32 UNC (16 PLACES)

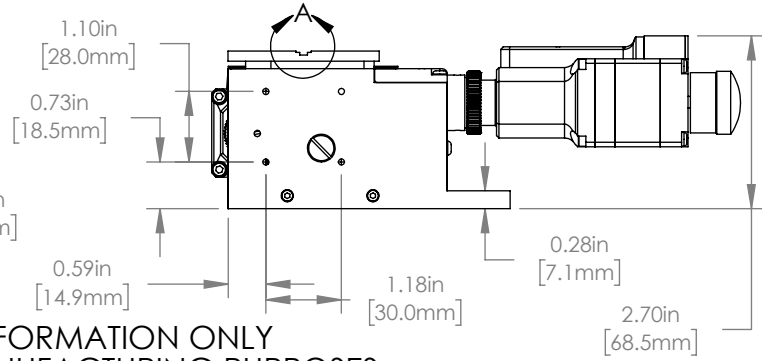
Ø0.31in (8 PLACES)  
[8.0mm]

M3x0.5 X 4.0 DEEP  
(8 PLACES)

NOTE - HOLE PATTERN SYMMETRICAL  
MAX BOLT ENGAGEMENT IN TOP PLATE - 0.16" [3.8mm]  
TOP PLATE SHOWN IN MIDDLE POSITION



DETAIL A



FOR INFORMATION ONLY  
NOT FOR MANUFACTURING PURPOSES

DRAWING PROJECTION			
NAME	DATE		
DRAWN IG	01/NOV/18		
APPROVAL DC	01/NOV/18		
COPYRIGHT © 2018 BY THORLABS			
VALUES IN PARENTHESIS ARE CALCULATED AND MAY CONTAIN ROUND OFF ERRORS			

<b>THORLABS</b> www.thorlabs.com		
3-AXIS NANOMAX STAGE, STEPPER MOTORS		
MATERIAL	N/A	REV A
ITEM #	MAX383	APPROX WEIGHT 2.8 kg