

Technical Specification



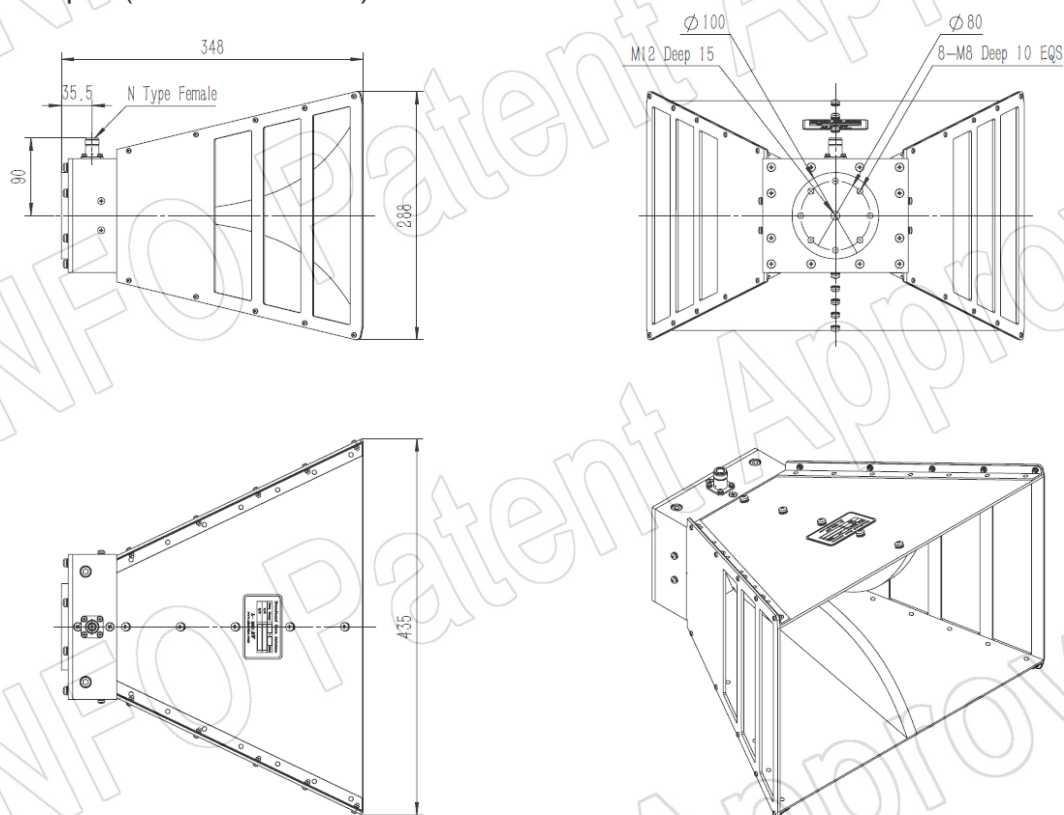
Frequency Range(GHz)	0.5 - 6.0
Gain(dBi)	11 Typ.
Polarization	Linear
3dB Beamwidth(deg)	E Plane: 97 - 33
	H Plane: 75 - 34
Cross Pol. Isolation(dB)	25 Typ.
VSWR	1.5:1 Typ.
Connector	N-Female
Power Handling(W CW)	500 Max.
Material	Al
Size(mm)	435 x 288 x 348
Net Weight(Kg)	6.80 Around

PATENT ID (China)

ZL201630454778.X

Outline Drawing (Size: mm)

N-Female Output (P/N: LB-560-NF)



AINFO Inc.

Page 1 of 7

China(Beijing):
China(Chengdu):
USA :

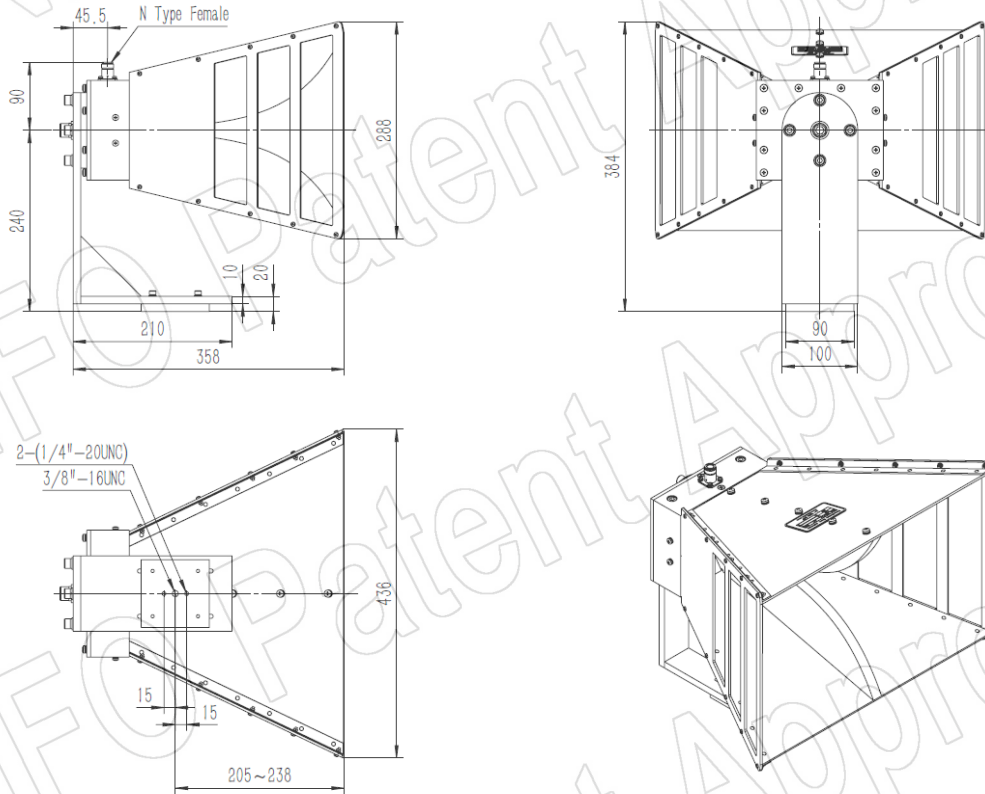
Tel: (+86)10-6266-7326,
Tel: (+86) 28-8519-2786,
Tel: (+1)949-639-9688,

(+86) 10-6266-7327
(+86) 28-8519-3044
(+1) 949-639-9608

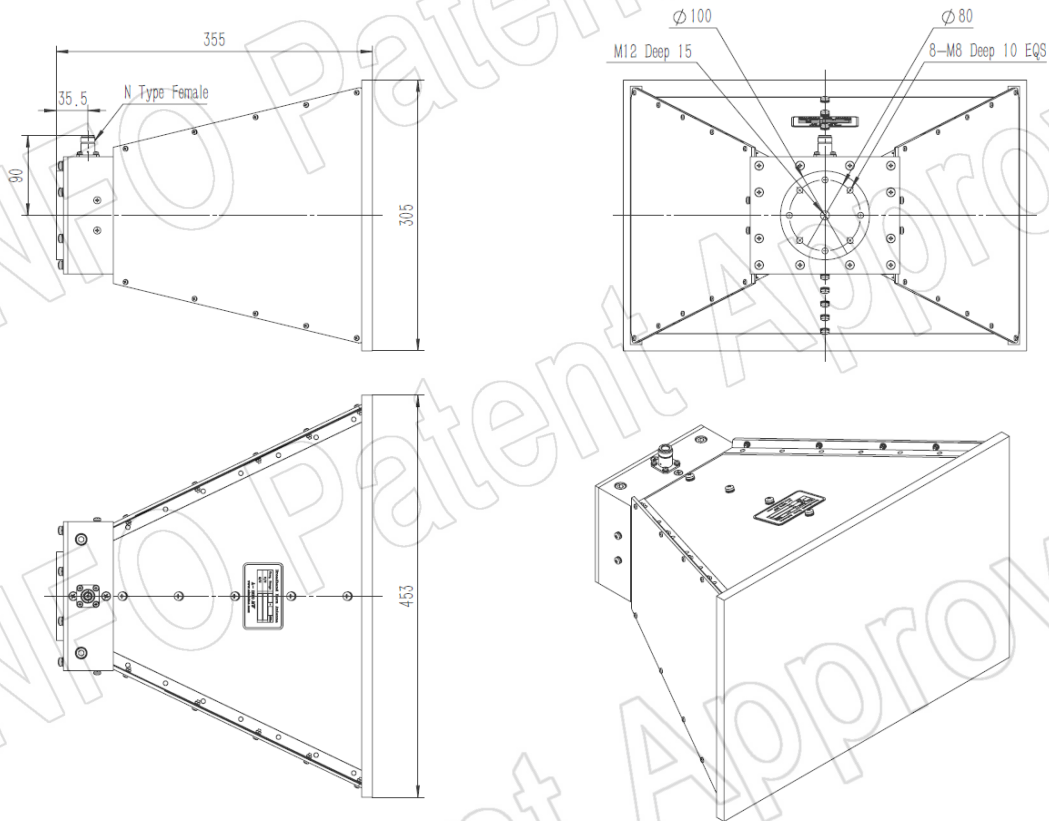
Fax: (+86) 10-6266-7379
Fax: (+86) 28-8519-3068
Fax: (+1) 949-639-9670

Website: www.ainfoinc.com
Email: sales@ainfoinc.com

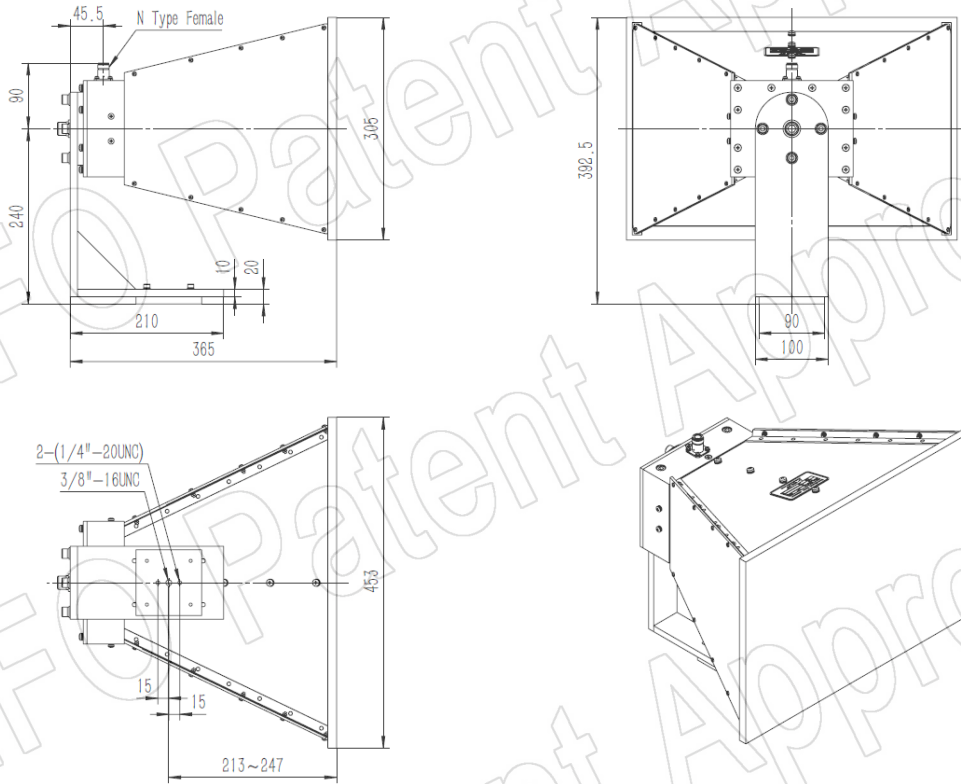
N-Female Output with L Type Mounting Bracket (Option, P/N: LB-660-L)



N-Female Output with Radome (Option, P/N: LB-560-NFSPO, Outdoor Application)

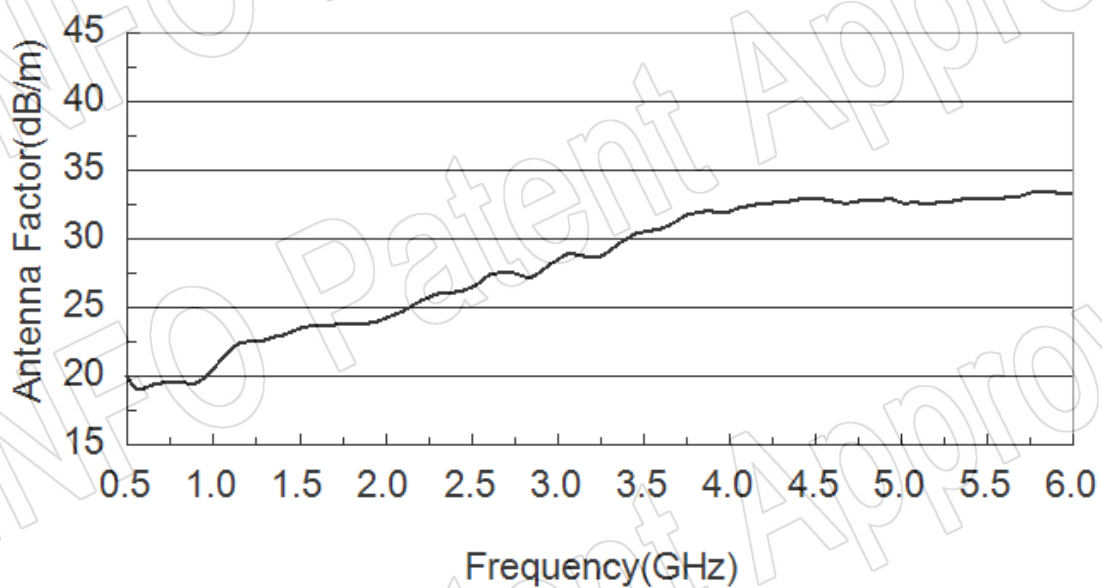
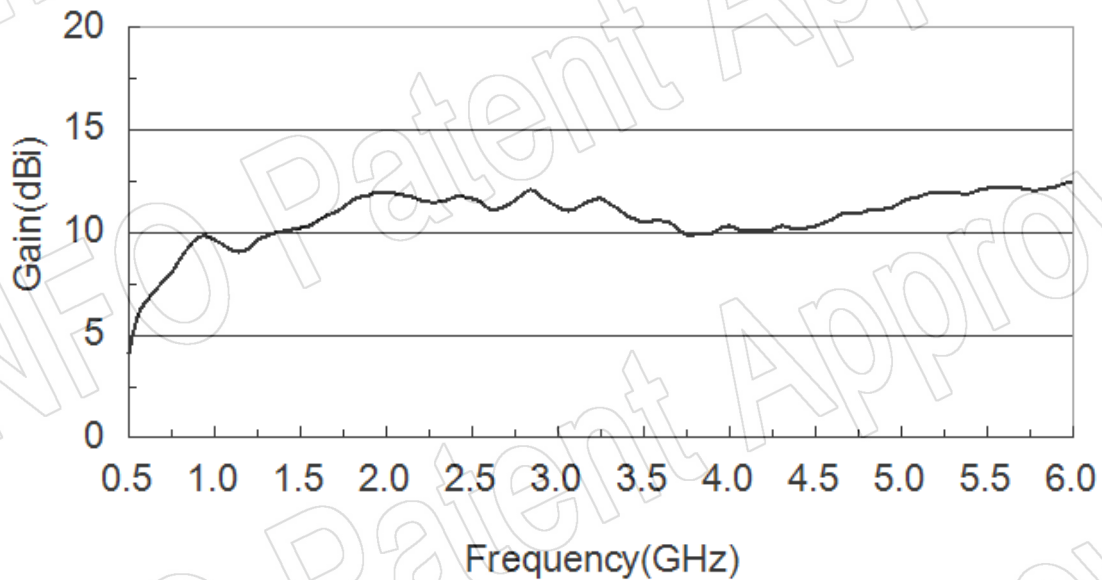


N-Female Output with L Type Mounting Bracket & Radome (Option, P/N: LB-660-L & LB-560-NFSPO, Outdoor Application)

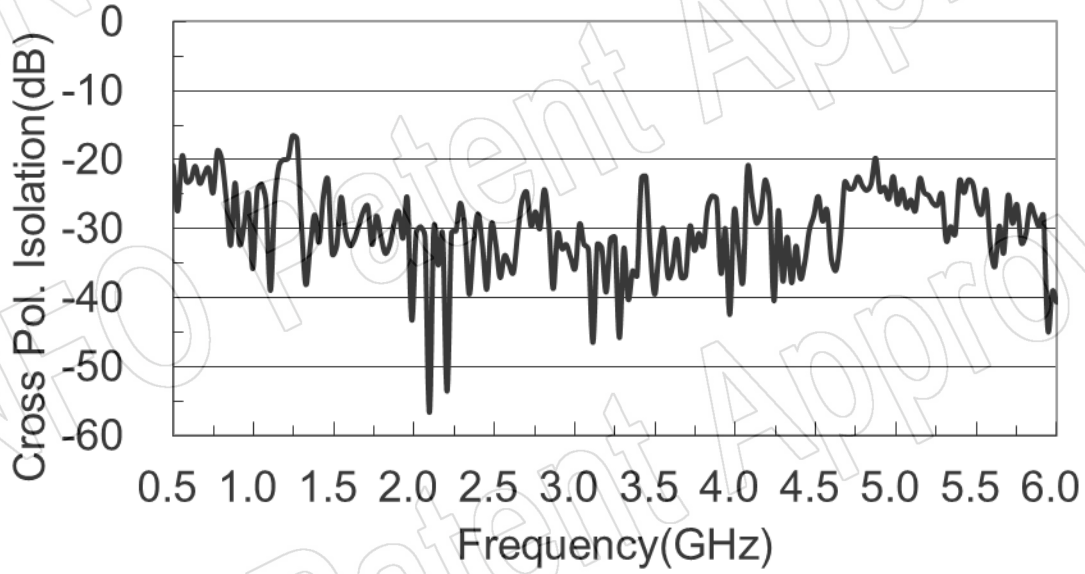


Test Results

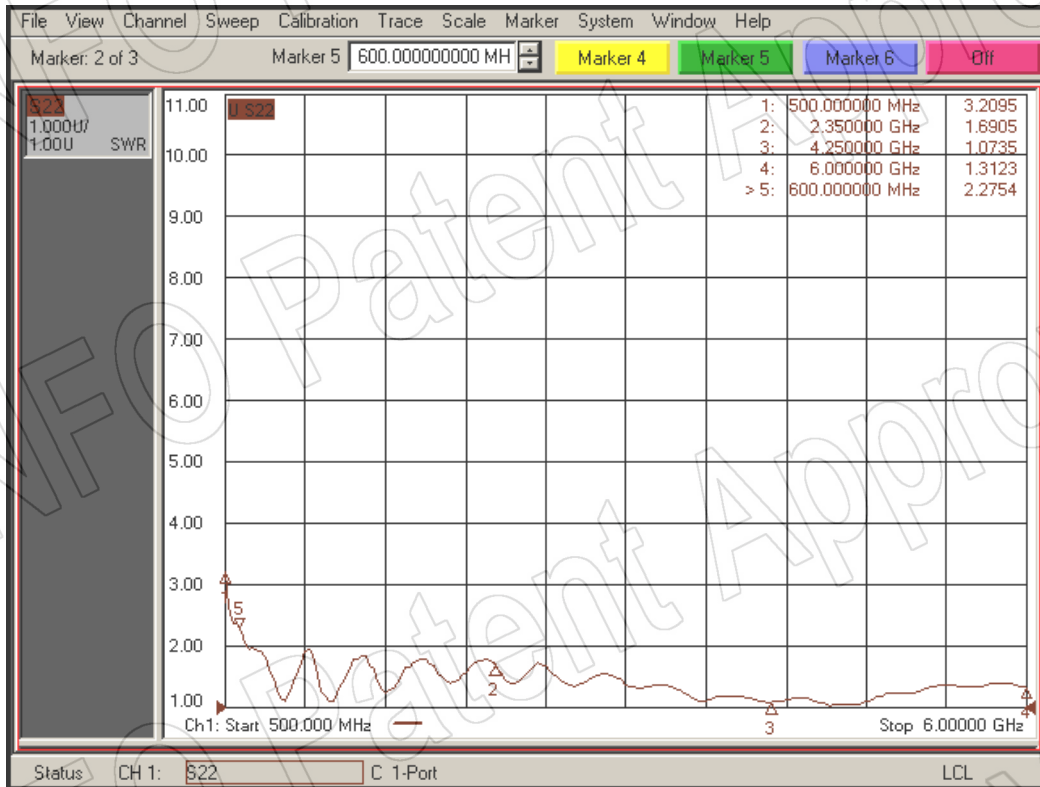
1. Gain & Antenna Factor



2. Cross Polarization Isolation



3. VSWR



4. Pattern

